



**THE COMET ADVANTAGE**

For over 60 years, Comet has been a global trailblazer in the world-wide pump market - available in over 130 countries. Comet – leading the way in solutions and new concepts to the world of fluid transfer applications.

**APS SERIES HIGH-PRESSURE DIAPHRAGM PUMPS**

- **LOW MAINTENANCE** – Durable for less down time; over-sized bearings, forge-reinforced shafts and holding brackets.
- **GROUND-BREAKING TECHNOLOGY** – “Perfect Bore-Stroke Ratio”; minimal operating noise, superior priming capacity.
- **COMPACT DESIGN** – Quick installation in the smallest spaces.
- **VERSATILITY** – Wide range of flow options to fit your needs for Pest Control, Lawn Care, and Agricultural Spraying.

**MC/MP SERIES MEDIUM-PRESSURE DIAPHRAGM PUMPS**

- **OUTSTANDING MATERIALS** – Plastic-coated aluminum heads, stainless steel polymer check valves, polymer manifolds. NBR® / Desmopan® diaphragms.
- **EXTREME CHEMICAL RESISTANCE** – Unrivaled material durability; long-lasting performance with even the toughest of chemical applications.
- **PERFORMANCE** - Innovative fluid slot design to optimize flow rates, shut-off speed, and priming capacity.
- **VERSATILITY** – Wide range of flow options to fit Lawn Care, Industrial, and Agricultural Spraying applications.

**BP SERIES LOW-PRESSURE DIAPHRAGM PUMPS**

- **LOW MAINTENANCE / HIGH PERFORMANCE** – Innovative design to optimize flow rates, shut-off speed, and priming capacity. Over-sized diaphragms and reduced pistons strokes. Less down time.
- **OUTSTANDING MATERIALS** – Plastic-coated aluminum heads, stainless steel polymer check valves, polymer manifolds. NBR® / Desmopan® diaphragms.
- **MODULARITY** – Modular flexibility; couple multiple pumps together for higher flow rates or to tackle multi-purpose applications.
- **VERSATILITY** – Wide range of flow options to fit your needs for Pest Control, Lawn Care, and Agricultural Spraying.



APS41	0 PSI			290 PSI		435 PSI		580 PSI	
RPM	GPM	HP	GPM	HP	GPM	HP	GPM	HP	
400	7.9	0.3	7.7	1.6	7.5	2.3	7.3	2.9	
450	8.9	0.3	8.6	1.7	8.4	2.6	8.2	3.3	
500	9.8	0.4	9.6	1.9	9.4	2.8	9.1	3.7	
550	10.8	0.4	10.6	2.1	10.3	3.1	10.0	4.1	

**COMET APS 41 SERIES HIGH-PRESSURE DIAPHRAGM PUMP**

- Semi-Hydraulic, three diaphragm pump.
- Maximum 580 PSI & 10.8 GPM; Maximum 550 RPM and 4.1 HP.
- Anodized Aluminum Pump construction; 28 Pounds.

PART	DESCRIPTION
COM-APS41GR	Pump with ¾" solid shaft gearbox and adjustable regulator
5026.0245.00	NBR® Repair Kit
5026.0327.00	Desmopan® Repair Kit



APS51	0 PSI			290 PSI		435 PSI		580 PSI	
RPM	GPM	HP	GPM	HP	GPM	HP	GPM	HP	
400	10.4	0.4	10.2	2.2	10.1	3.1	9.6	3.8	
450	11.7	0.5	11.5	2.5	11.4	3.4	10.9	4.2	
500	12.9	0.5	12.6	2.7	12.4	3.8	12.2	4.8	
550	14.2	0.6	13.8	3.0	13.7	4.2	13.4	5.2	

**COMET APS 51 SERIES HIGH-PRESSURE DIAPHRAGM PUMP**

- Semi-Hydraulic, three diaphragm pump.
- Maximum 580 PSI & 14.2 GPM; Maximum 550 RPM and 5.2 HP.
- Anodized Aluminum Pump construction; 44 Pounds.

PART	DESCRIPTION
COM-APS51GR5	Pump with ¾" hollow shaft gearbox and adjustable regulator
COM-APS51GR8	Pump with 1" hollow shaft gearbox and adjustable regulator
5026.0084.00	NBR® Repair Kit
5026.0084.00.DS	Desmopan® Repair Kit



APS71	0 PSI			290 PSI		435 PSI		580 PSI		725 PSI	
RPM	GPM	HP	GPM	HP	GPM	HP	GPM	HP	GPM	HP	
400	14.0	0.5	13.7	2.9	13.4	4.0	13.3	5.2	13.2	6.5	
450	15.6	0.6	15.3	3.3	15.0	4.6	14.9	5.9	14.7	7.3	
500	17.2	0.8	16.8	3.7	16.5	5.2	16.3	6.7	16.2	8.3	
550	18.8	0.9	18.4	4.1	18.1	5.7	17.9	7.3	17.8	9.1	

**APS 71 SERIES HIGH-PRESSURE DIAPHRAGM PUMP**

- Semi-Hydraulic, three diaphragm pump.
- Maximum 725 PSI & 18.8 GPM; Maximum 550 RPM and 9.1 HP.
- Anodized Aluminum Pump construction; 49 Pounds (w/ gearbox and regulator).

PART	DESCRIPTION
COM-APS71	Pump Only w/ 6-hole flange
COM-APS71GR8	Pump with 1" hollow shaft gearbox and adjustable regulator
5026.0085.00	NBR® Repair Kit
5026.0331.00	Desmopan® Repair Kit



MC25	0 PSI		72 PSI		145 PSI		217 PSI		290 PSI		362 PSI	
RPM	GPM	HP	GPM	HP	GPM	HP	GPM	HP	GPM	HP	GPM	HP
400	3.6	0.12	3.0	0.18	3.0	0.36	2.9	0.54	2.9	0.71	2.9	0.89
500	4.3	0.15	3.8	0.23	3.7	0.46	3.7	0.68	3.6	0.89	3.6	1.11
600	5.3	0.18	4.6	0.28	4.5	0.55	4.5	0.82	4.4	1.08	4.4	1.35
650	6.1	0.20	5.2	0.32	5.0	0.62	5.0	0.91	4.9	1.20	4.9	1.50

**COMET MC 25 SERIES MEDIUM-PRESSURE DIAPHRAGM PUMP**

- Semi-Hydraulic, twin diaphragm pump.
- Maximum 362 PSI & 6.1 GPM; Maximum 550 RPM and 1.5 HP.
- Anodized Aluminum Pump construction; 12 Pounds (w/ hyd. drive and regulator).

PART	DESCRIPTION
COM-MC25P	Pump w/ 10" 2A Groove Pulley and adjustable regulator
COM-MC25GR	Pump w/ 3/4" Hydraulic Drive and adjustable regulator
5026.0116.0 0	NBR® Rebuild Kit
5026.0116.00.DS	Desmopan® Rebuild Kit

MP 30	0 PSI		145 PSI		290 PSI		435 PSI	
RPM	GPM	HP	GPM	HP	GPM	HP	GPM	HP
400	6.2	0.2	5.7	0.7	5.6	1.2	5.6	1.7
450	6.9	0.3	6.4	0.8	6.3	1.4	6.3	1.9
500	7.7	0.3	7.1	0.8	7.0	1.5	7.0	2.1
550	8.5	0.3	7.8	0.9	7.7	1.7	7.7	2.3

**COMET MP 30 SERIES MEDIUM-PRESSURE DIAPHRAGM PUMP**

- Semi-Hydraulic, twin diaphragm pump.
- Maximum 435 PSI & 8.5 GPM; Maximum 550 RPM and 2.3 HP.
- Anodized Aluminum Pump construction; 21 Pounds (w/ gearbox and regulator).

PART	DESCRIPTION
COM-MP30GR	Pump with 3/4" hollow shaft gearbox and adjustable regulator
5026.0080.00	NBR® Rebuild Kit



BP 125	0 PSI		72 PSI		145 PSI		217 PSI		290 PSI	
RPM	GPM	HP	GPM	HP	GPM	HP	GPM	HP	GPM	HP
400	24.0	1.0	23.8	1.6	23.2	2.9	23.0	4.0	22.7	5.0
450	26.9	1.2	26.4	1.9	26.2	3.2	25.9	4.4	25.6	5.4
500	29.6	1.6	29.1	2.3	28.8	3.7	28.5	4.8	28.3	6.1
550	32.0	2.0	31.7	2.7	31.4	4.1	31.2	5.5	30.9	6.8

**COMET BP 125 SERIES LOW-PRESSURE DIAPHRAGM PUMP**

- Semi-Hydraulic, three diaphragm pump.
- Maximum 290 PSI & 32 GPM; Maximum 550 RPM and 6.8 HP.
- Plastic-coated Aluminum Pump construction; 34 Pounds w/ gearbox.

PART	DESCRIPTION
COM-BP125S	Pump with 1 3/8" splined shaft
COM-BP125GR	Pump with 1" hollow shaft gearbox
5026.0326.00	Desmopan® Rebuild Kit

BP 171	0 PSI		72 PSI		145 PSI		217 PSI		290 PSI	
RPM	GPM	HP	GPM	HP	GPM	HP	GPM	HP	GPM	HP
400	32.3	1.3	31.7	2.6	31.5	4.1	31.3	5.2	31.1	6.7
450	36.4	1.5	35.7	2.9	35.5	4.6	35.2	6.1	35.0	7.6
500	40.3	1.8	39.6	3.5	39.4	5.2	39.1	6.8	38.8	8.6
550	44.4	2.0	43.6	4.1	43.3	5.9	43.1	7.8	42.8	9.6

**COMET BP 171 SERIES LOW-PRESSURE DIAPHRAGM PUMP**

- Semi-Hydraulic, four diaphragm pump.
- Maximum 290 PSI & 44.4 GPM; Maximum 550 RPM and 9.6 HP.
- Plastic-coated Aluminum Pump construction; 52.9 Pounds.

PART	DESCRIPTION
COM-BP171SPL	Pump with 1 3/8" splined shaft
5026.0145.00	Desmopan® Rebuild Kit



**COMET HYDRA  
LOW PRESSURE REGULATOR**

- Compatible with Comet MC25 Series pump
- Shut-off pressure lever
- Constant pressure regulation valve
- One or two outlets

PART #	MODEL	GPM	PSI	LBS.	INLET	OUTLET	BYPASS
1204.0674.00	Hydra	13.2	290	2	1/2"	5/16"	1/2"

PART	DESCRIPTION
1204.0674.00	Hydra Low Pressure Regulator



**COMET SIRIUS  
LOW-MEDIUM-HIGH PRESSURE REGULATOR**

- Compatible with Comet MP30 and APS51 Series pumps
- Shut-off pressure lever
- Constant pressure regulation valve
- Two or three outlets

PART #	MODEL	GPM	PSI	LBS.	INLET	OUTLET	BYPASS
1204.0560.00	Sirius	13.2	580	2	QC	3/8"	3/4"

PART	DESCRIPTION
1204.0560.00	Sirius L/M/H Pressure Regulator



**COMET GCP 3V  
LOW-MEDIUM-HIGH PRESSURE REGULATOR**

- Compatible with Comet BP125, APS41, APS51, and APS71 Series pumps
- Shut-off pressure lever
- Constant pressure regulation valve
- Three outlets

PART #	MODEL	GPM	PSI	LBS.	INLET	OUTLET	BYPASS
1204.0678.00	GCP 3V	26.4	580	2.6	QC	3/8"	3/8"
1204.0189.00	GCP 3V	26.4	580	2.6	QC	3/8"	3/8"

PART	DESCRIPTION
1204.0678.00	GCP 3V L/M/H Pressure Regulator – 2 Valve
1204.0189.00	GCP 3V L/M/H Pressure Regulator – 3 Valve



**COMET GEMINI  
HIGH PRESSURE REGULATOR**

- Compatible with Comet APS41 Series pump
- Shut-off pressure lever
- Constant pressure regulation valve
- Two outlets

PART #	MODEL	GPM	PSI	LBS.	INLET	OUTLET	BYPASS
1204.0564.00	Gemini	13.2	580	2	Flange	3/8"	3/8"

PART	DESCRIPTION
1204.0564.00	Gemini High Pressure Regulator



Model 5005.0216.00



Model 5005.0221.00



Model 5005.0226.00



Model 5005.0227.00

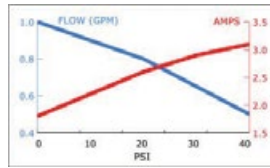
**COMET GEAR REDUCERS**

PART	COMPATIBLE PUMPS	HONDA	KOHLER COMMAND	VANGUARD	GRIGGS
5005.0216.00	MP20/30, P48, APS41, APS51, APS71	4 – 6.5 HP	6 HP	6 HP	3.5 – 6.5 HP
5005.0221.00	APS51, APS71, APS96	8 – 13 HP	11, 14 HP	9 – 13 HP	8 HP
5005.0226.00	BP75, BP125, P36	4 – 6.5 HP	6 HP	6 HP	3.5 – 6.5 HP
5005.0227.00	BP125	8 – 13 HP	11, 14 HP	9 – 13 HP	8 HP



**EVERFLO 1.0 GPM 12-VOLT DIAPHRAGM PUMP**

- Polypropylene pump housing and valve plate.
- Viton® Valves and Santoprene Diaphragm.
- 40 PSI maximum pressure; 1.0 GPM maximum flow.
- Honeywell™ Micro Demand Switch.
- Maximum fluid temperature 60° C (140° F).
- Self-priming to 4 feet.
- 3/8" hose barb inlet and outlet ports.
- 12 Volt DC; maximum 4.0 Amps.
- Round-Up® ready.

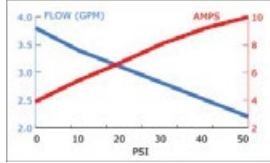


PART	DESCRIPTION
EF1000	1.0 GPM 12-Volt Diaphragm Pump



**EVERFLO 3.0 GPM 12-VOLT DIAPHRAGM PUMP**

- Polypropylene pump housing and valve plate.
- Viton® Valves and Santoprene Diaphragm.
- Zinc-plated steel fasteners.
- 60 PSI maximum pressure; 3.0 GPM maximum flow.
- Honeywell™ Micro Demand Switch.
- Maximum fluid temperature 60° C (140° F).
- Self-priming to 8 feet.
- 1/2" Female NPT inlet and outlet ports.
- 12 Volt DC; maximum 10.0 Amps.
- Round-Up® ready.

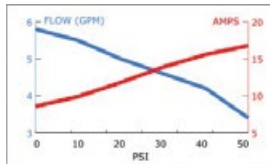


PART	DESCRIPTION
EF3000	3.0 GPM 12-Volt Diaphragm Pump
EF3000-KIT	Complete Head Repair Kit for EF3000



**EVERFLO 5.5 GPM 12-VOLT DIAPHRAGM PUMP**

- Polypropylene pump housing and valve plate.
- Viton® Valves and Santoprene Diaphragm.
- Zinc-plated steel fasteners.
- 60 PSI maximum pressure; 5.5 GPM maximum flow.
- Honeywell™ Micro Demand Switch.
- Maximum fluid temperature 60° C (140° F).
- Self-priming to 8 feet.
- 1/2" Female NPT inlet and outlet ports.
- 12 Volt DC; maximum 17.0 Amps.
- Round-Up® ready.

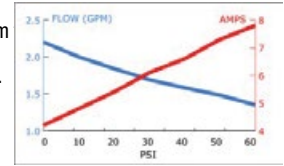


PART	DESCRIPTION
EF5500	5.5 GPM 12-Volt Diaphragm Pump
EF5500-KIT	Complete Head Repair Kit for EF5500



**EVERFLO 2.2 GPM 12-VOLT DIAPHRAGM PUMP**

- Polypropylene pump housing and valve plate.
- Viton® Valves and Santoprene Diaphragm.
- Zinc-plated steel fasteners.
- 70 PSI maximum pressure; 2.2 GPM maximum flow.
- Honeywell™ Micro Demand Switch.
- Maximum fluid temperature 60° C (140° F).
- Self-priming to 8 feet.
- 3/8" Female NPT inlet and outlet ports.
- 12 Volt DC; maximum 8.0 Amps.
- Round-Up® ready.

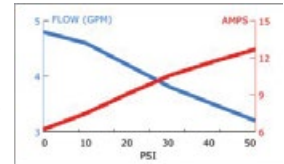


PART	DESCRIPTION
EF2200	2.2 GPM 12-Volt Diaphragm Pump
EF2200-KIT	Complete Head Repair Kit for EF2200



**EVERFLO 4.0 GPM 12-VOLT DIAPHRAGM PUMP**

- Polypropylene pump housing and valve plate.
- Viton® Valves and Santoprene Diaphragm.
- Zinc-plated steel fasteners.
- 60 PSI maximum pressure; 4.0 GPM maximum flow.
- Honeywell™ Micro Demand Switch.
- Maximum fluid temperature 60° C (140° F).
- Self-priming to 8 feet.
- 1/2" Female NPT inlet and outlet ports.
- 12 Volt DC; maximum 13.0 Amps.
- Round-Up® ready.

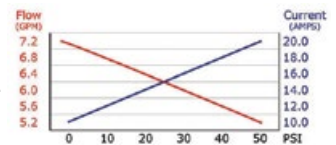


PART	DESCRIPTION
EF4000	4.0 GPM 12-Volt Diaphragm Pump
EF4000-KIT	Complete Head Repair Kit for EF4000



**EVERFLO 7.0 GPM 12-VOLT DIAPHRAGM PUMP**

- Polypropylene pump housing & fiberglass-reinforced polypropylene pump manifold.
- Viton Valves and Santoprene Diaphragm.
- 60 PSI maximum pressure; 7.0 GPM maximum flow.
- Honeywell Micro Demand Switch.
- Maximum fluid temperature 60°C (140°F).
- Self-priming to 12 feet.
- 1/2" Female Inlet and Outlet ports.
- 12 Volt DC; maximum 23.0 Amps.
- Approved for Roundup / other Ag chemicals.



PART	DESCRIPTION
EF7000	7.0 GPM 12-Volt Diaphragm Pump
EF7000-KIT	Complete Head Repair Kit for EF7000



**3 GPM 12 VOLT**

PSI	GPM	AMPS
10	2.80	5.3
20	2.69	5.5
30	2.36	6.7
40	2.05	7.7



- 45 PSI switch.
- Viton® valves.
- Santoprene® diaphragm.
- 1/2" 14 National American Straight Pipe Thread

PART	DESCRIPTION
2088-343-135	Pump, 12 Volt, 3 GPM, 45 PSI
234-3926	1/2" 90° Swivel Connector
234-3916	3/8" 90° Swivel Connector
234-2926	1/2" Straight Swivel Connector
234-2916	3/8" Straight Swivel Connector



**1.4 GPM 12 V PUMP**

- 60 PSI switch.
- Viton® valves and Santoprene® diaphragm.
- 3/8" NPT(F) ports.

PSI	GPM	AMPS
20	1.26	5.0
40	1.14	6.2
60	1.02	7.3

PART	DESCRIPTION
8000-543-236	60 PSI, Pump
8000-543-238	100 PSI, Not shown



**3.0 GPM 24-VOLT PUMP**

- 45 PSI Demand switch.
- Santoprene® valves and diaphragm.
- 1/2" 14 National American Straight Pipe Thread inlet and outlet ports; use 234-series connectors.

PART	DESCRIPTION
2088-474-144	3.0 GPM 24V Pump



1/4" FNPT Port

PSI	GPM	AMPS
10	2.79	5.8
30	2.26	8.3
50	1.69	10.1

**3 GPM 12 VOLT**

- 3.3 GPM Open Flow.
- Viton® Valves, Santoprene® Diaphragm.
- 1/4" FNPT Port for relief valve or pressure gauge.
- 1/2" 14 National American Straight Pipe Thread.

PART	DESCRIPTION
2088-343-500	12 Volt Pump



1/4" FNPT Port

**1.8 GPM 12 V PUMP**

- Viton® valves and Santoprene® diaphragm
- 3/8" FNPT ports.
- 1/4" FNPT gauge or valve port
- No pressure control switch

PART	DESCRIPTION
8001-244-290	12 Volt Pump



**1.4 GPM BY-PASS 12 V PUMP**

- 45 PSI internal by-pass.
- Viton® valves and Santoprene® diaphragm.
- 3/8" NPT(F) ports.

PSI	GPM	AMPS
20	1.30	4.0
30	1.11	4.7
40	0.69	5.2
60	0.18	5.5

PART	DESCRIPTION
8000-543-250	By-Pass Pump



**HEAT SINKS – AVAILABLE IN 3" & 5" LENGTHS**

- Mounts to standard SHURflo pump motor.
- Cools pump motor in continuous-duty applications

PART	DESCRIPTION
34-006	3" (7.6cm) Heat Sink
34-007	5" (12.7cm) Heat Sink



PSI	GPM	AMPS
10	4.7	9.0
20	4.3	11.8
30	4.1	12.4
40	3.8	14.0
50	3.6	15.4

**SHURFLO 5.3 GPM 12 VOLT PUMP**

- 5.3 GPM open flow; 3.8 GPM @ 40 PSI.
- 60 PSI pressure switch built in.
- Viton valves; Santoprene diaphragm.
- 1/2" Female NPT Inlet and Outlet ports.

PART	DESCRIPTION
5059-1310-D011	12 Volt Pump

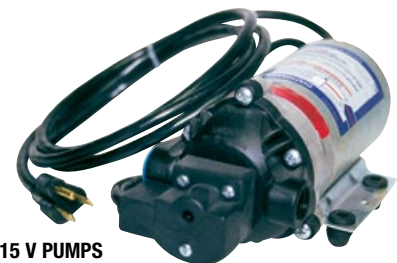


PART	PSI	GPM	AMPS
8020-503-250	10	1.4	.37
	20	1.3	.44
	30	1.1	.50
	40	0.8	.56
2088-394-144	10	2.4	.55
	20	2.2	.60
	30	1.9	.65
	40	1.6	.70

**115 VOLT PUMPS**

- 3/8" ports.
- Internal relief 45 PSI.
- Viton® valves and Santoprene® diaphragm.
- No pressure switch.

PART	DESCRIPTION
8020-503-250	By-Pass Pump, 115V
2088-394-144	115V, 45 PSI Demand Switch
2088-394-154	115V, 45 PSI Demand Switch, Flying Leads



**115 V PUMPS**

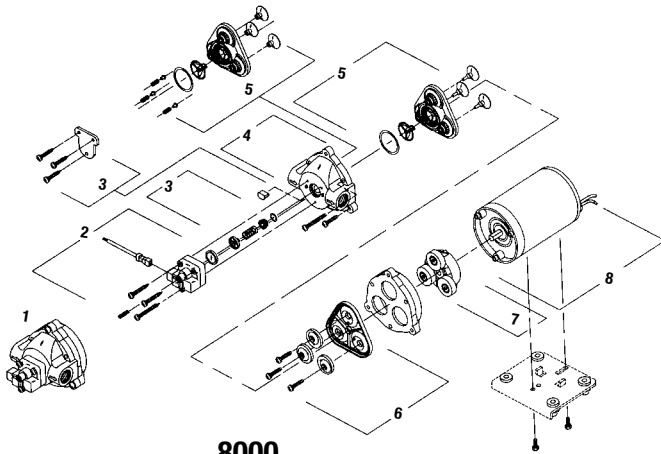
- 1.4 GPM open flow (1.0 GPM @ 30 PSI).
- 60 PSI pressure switch.

**238 SERIES**

- 1.6 GPM open flow (1.0 GPM @ 50 PSI).
- 100 PSI pressure switch.

PART	DESCRIPTION
8020-513-236	60 PSI
8020-833-238	100 PSI

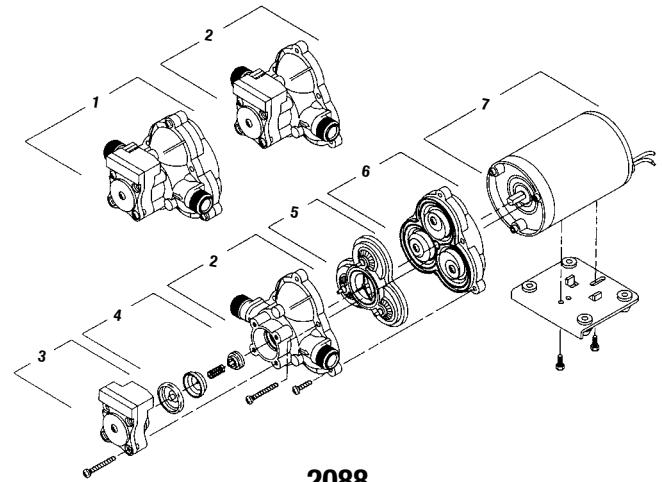
12 V Pump Parts



8000

SHURFLO 8000 SERIES 12 V PUMP PARTS

REF	PART	DESCRIPTION
1	-	Complete Pump - N/A
2	94-375-05	Switch Kit 60 PSI
3	94-374-05	Check Valve Assembly Viton
4	94-379-00	Upper Housing
5	94-391-09	By-Pass Valve Kit
5	94-390-05	Valve Kit Viton
6	94-395-05	Diaphragm Viton – optional
6	94-395-06	Diaphragm Santoprene – standard
7	94-385-03	Drive Assembly
8		Motor 12 V - N/A

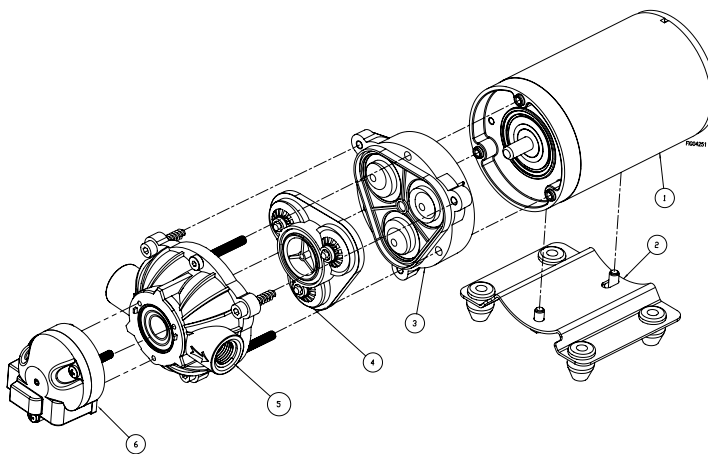


2088

SHURFLO 2088 SERIES 12 V PUMP PARTS

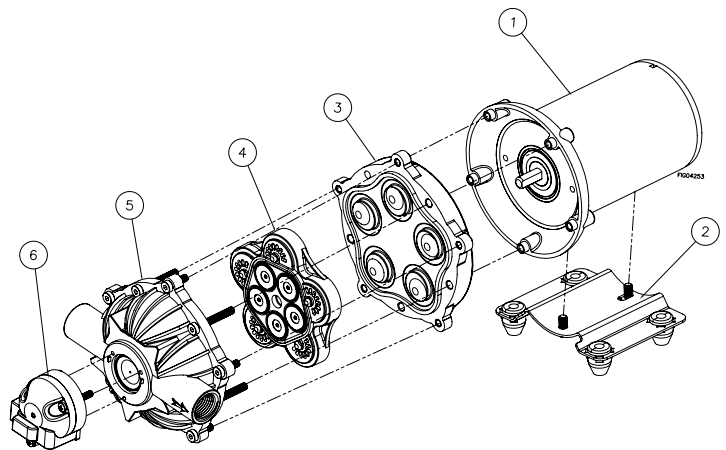
REF	PART	DESCRIPTION
1	-	Complete Pump - N/A
2	94-231-30	Upper Housing
3	94-230-36	Switch Assembly
4	94-237-05	Check Valve Assembly
5	94-232-05	Valve Assembly
6	94-238-03	Diaphragm Santoprene
7		Motor 12 V - N/A

Intermittent



EVERFLO EF2200 12-VOLT DIAPHRAGM PUMP PARTS

REF	PART	DESCRIPTION
1	N/A	Motor - N/A
2	EF780254	Base Plate Assembly
3	EF784062	Diaphragm Assembly
4	EF778279	Valve Plate Assembly
5	EF787161	Pump Head Assembly
	EF787418	QA Pump Head Assembly
6	EF788026	Pressure Switch Assembly



EVERFLO EF5500 12-VOLT DIAPHRAGM PUMP PARTS

REF	PART	DESCRIPTION
1	N/A	Motor - N/A
2	EF780254	Base Plate Assembly
3	EF787530	Diaphragm Assembly
4	EF780509	Valve Plate Assembly
5	EF787165	Pump Head Assembly
	EF787419	QA Pump Head Assembly
6	EF788690	Pressure Switch Assembly