



ER Series Combo-Jet Spray Tips

- ER8002 avg. median dia. @ 40 PSI: 224 microns.
- Comes with O-ring seal.

80°

PART	DESCRIPTION	PRICE (B)
ER80-01	Spray Tip Orange	11.45
ER80-015	Spray Tip Green	11.45
ER80-02	Spray Tip Yellow	11.45
ER80-025	Spray Tip Purple	11.45
ER80-03	Spray Tip Blue	11.45
ER80-04	Spray Tip Red	11.45
ER80-05	Spray Tip Brown	11.45
ER80-06	Spray Tip Grey	11.45
ER80-08	Spray Tip White	11.45
ER80-10	Spray Tip Light Blue	11.45
ER80-125	Spray Tip Teal	11.45
ER80-15	Spray Tip Light Green	11.45
ER80-20	Spray Tip Black	11.45
ER80-30	Spray Tip Black	11.45

110°

PART	DESCRIPTION	PRICE (B)
ER110-01	Spray Tip Orange	11.45
ER110-015	Spray Tip Green	11.45
ER110-02	Spray Tip Yellow	11.45
ER110-025	Spray Tip Purple	11.45
ER110-03	Spray Tip Blue	11.45
ER110-04	Spray Tip Red	11.45
ER110-05	Spray Tip Brown	11.45
ER110-06	Spray Tip Grey	11.45
ER110-08	Spray Tip White	11.45
ER110-10	Spray Tip Light Blue	11.45



DR Series Combo-Jet Combined Spray Tip/Cap Screen Nozzle System

Major advantages of Combo-Jet® DR series:

- Reduction of 75 to 95% of driftable fines compared to standard nozzles.
- DR8002 avg. median dia. @ 40 PSI: 416 microns.

PART	DESCRIPTION	PRICE (B)
DR80-01	Spray Tip Orange	16.95
DR80-015	Spray Tip Green	16.95
DR80-02	Spray Tip Yellow	16.95
DR80-025	Spray Tip Purple	16.95
DR80-03	Spray Tip Blue	16.95
DR80-04	Spray Tip Red	16.95
DR80-05	Spray Tip Brown	16.95
DR80-06	Spray Tip Grey	16.95
DR80-08	Spray Tip White	16.95
DR80-10	Spray Tip Black	16.95
DR80-15	Spray Tip Black	16.95
DR80-20	Spray Tip Black	16.95
DR80-25	Spray Tip Black	16.95

Note: Includes O-ring installed in cap



MR Series Combo-Jet Spray Tips

- Similar to DR Series, but the MR tip decreases the volume median diameter of droplet.
- More droplet size in the 290 micron range for improved chemical efficacy.
- MR8002 avg. median dia. @ 40 PSI: 293 microns.

80°

PART	DESCRIPTION	PRICE (B)
MR80-01	Spray Tip Orange	16.95
MR80-015	Spray Tip Green	16.95
MR80-02	Spray Tip Yellow	16.95
MR80-025	Spray Tip Purple	16.95
MR80-03	Spray Tip Blue	16.95
MR80-04	Spray Tip Red	16.95
MR80-05	Spray Tip Brown	16.95
MR80-06	Spray Tip Grey	16.95
MR80-08	Spray Tip White	16.95
MR80-10	Spray Tip Light Blue	16.95
MR80-125	Spray Tip Teal	16.95
MR80-15	Spray Tip Light Green	16.95
MR80-20	Spray Tip Tan	16.95
MR80-25	Spray Tip Black	16.95
MR80-30	Spray Tip Black	16.95
MR80-40	Spray Tip Black	16.95
MR80-50	Spray Tip Black	16.95

110°

PART	DESCRIPTION	PRICE (B)
MR110-015	Spray Tip Green	16.95
MR110-02	Spray Tip Yellow	16.95
MR110-025	Spray Tip Purple	16.95
MR110-03	Spray Tip Blue	16.95
MR110-04	Spray Tip Red	16.95
MR110-05	Spray Tip Brown	16.95
MR110-06	Spray Tip Grey	16.95
MR110-08	Spray Tip White	16.95
MR110-10	Spray Tip Light Blue	16.95
MR110-125	Spray Tip Black	16.95

Note: Includes O-ring installed in cap



SR Series Combo-Jet Spray Tips

- Drift Reduction Tip with drop size larger than the "ER" Series and smaller than the "MR" Series.
- Available in 80° and 110°.

80°

PART	DESCRIPTION	PRICE (B)
SR80-01	Spray Tip Orange	16.95
SR80-015	Spray Tip Green	16.95
SR80-02	Spray Tip Yellow	16.95
SR80-025	Spray Tip Purple	16.95
SR80-03	Spray Tip Blue	16.95
SR80-04	Spray Tip Red	16.95
SR80-05	Spray Tip Brown	16.95
SR80-06	Spray Tip Grey	16.95
SR80-08	Spray Tip White	16.95
SR80-10	Spray Tip Light Blue	16.95
SR80-125	Spray Tip Teal	16.95
SR80-15	Spray Tip Light Green	16.95
SR80-20	Spray Tip Black	16.95
SR80-25	Spray Tip Black	16.95
SR80-30	Spray Tip Black	16.95
SR80-40	Spray Tip Black	16.95
SR80-50	Spray Tip Black	16.95

110°

PART	DESCRIPTION	PRICE (B)
SR110-015	Spray Tip Green	16.95
SR110-02	Spray Tip Yellow	16.95
SR110-025	Spray Tip Purple	16.95
SR110-03	Spray Tip Blue	16.95
SR110-04	Spray Tip Red	16.95
SR110-05	Spray Tip Brown	16.95
SR110-06	Spray Tip Grey	16.95
SR110-08	Spray Tip White	16.95
SR110-10	Spray Tip Light Blue	16.95
SR110-125	Spray Tip Teal	16.95
SR110-15	Spray Tip Light Green	16.95

Note: Includes O-Ring installed in cap



Combo-Jet Seal Ring

PART	PRICE (B)
40260-00	.30



50-Mesh Strainer shown above

Combo-Jet Strainers

- Available in 50 and 100-mesh (not shown).

PART	DESCRIPTION	PRICE (B)
40250-00	50-Mesh Strainer (blue)	1.85
40251-00	100-Mesh Strainer (green)	1.85



UR Series Combo-Jet Spray Tips

- Specially designed for certain chemical applications that require exceptional drift control.
- Dual-Chamber Drift Reduction; Ultra-Coarse.

PART	DESCRIPTION	PRICE (B)
UR110-025	UR Spray Tip Purple	26.00
UR110-03	UR Spray Tip Blue	26.00
UR110-04	UR Spray Tip Red	26.00
UR110-05	UR Spray Tip Brown	26.00
UR110-06	UR Spray Tip Grey	26.00
UR110-08	UR Spray Tip White	26.00
UR110-10	UR Spray Tip Light Blue	26.00

Wilger Liquid Fertilizer Tips



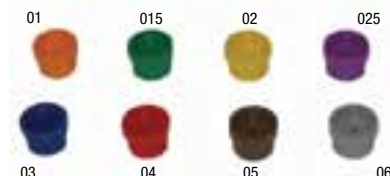
Fertilizer Cap 40432



Fertilizer Cap 40433

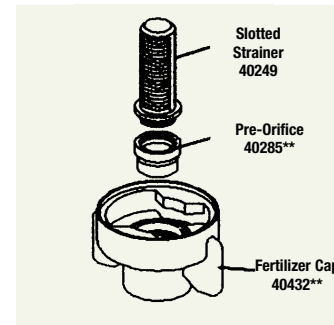
Combo-Jet Fertilizer Caps

PART	DESCRIPTION	PRICE (B)
40432-047	Fertilizer Cap 2 Hole Combo-Jet	7.70
40432-086	Fertilizer Cap 2 Hole Combo-Jet	7.70
40433-047	Fertilizer Cap 3 Hole Combo-Jet	9.85
40433-067	Fertilizer Cap 3 Hole Combo-Jet	9.85
40433-104	Fertilizer Cap 3 Hole Combo-Jet	9.85



Pre-Orifice

PART	SIZE	DESCRIPTION	PRICE(B)
40285-005	005	Black Orifice	7.75
40285-007	007	Pink Orifice	7.75
40285-01	01	Orange Orifice	5.85
40285-015	015	Green Orifice	5.85
40285-02	02	Yellow Orifice	5.85
40285-025	025	Purple Orifice	5.85
40285-03	03	Blue Orifice	5.85
40285-04	04	Red Orifice	5.85
40285-05	05	Brown Orifice	5.85
40285-06	06	Grey Orifice	5.85
40285-08	08	White Orifice – long	5.85
40285-08S	08	White Orifice – short	5.85
40285-10	10	Light Blue Orifice – long	5.85
40285-10S	10	Light Blue Orifice – short	5.85
40285-125	12.5	Teal Orifice – long	5.85
40285-13S	12.5	Teal Orifice – short	5.85
40285-15	15	Light Green Orifice	5.85
40285-20	20	Tan Orifice	5.85
40285-25	25	Black Orifice	5.85



50M Strainer 40249



Strainers

PART	DESCRIPTION	PRICE(B)
40247-00	16M Strainer – grey poly	1.85
40248-00	25M Strainer – yellow poly	1.85
40249-00	50M Strainer – red poly	1.85
40251-00	100M Strainer – stainless mesh	1.85

NOTE: 16M, 25M, and 50M poly strainers are slotted.

PRE-ORIFICE PART	CAP PART	SCREEN MESH	PSI	CAPACITY 1 NOZZLE IN GPM	U.S. GPA @ 4 MPH	U.S. GPA @ 5 MPH	U.S. GPA @ 6 MPH	U.S. GPA @ 7 MPH	U.S. GPA @ 8 MPH	U.S. GPA @ 10 MPH	U.S. GPA @ 12MPH	U.S. GPA @ 14 MPH	U.S. GPA @ 16 MPH
40285-01	40433-047 or 40432-047	100	20	0.060	4.5	3.6	3.0	2.6	2.2	1.8	1.5	1.3	1.1
			25	0.067	5.0	4.0	3.3	2.9	2.5	2.0	1.7	1.4	1.2
			30	0.074	5.5	4.4	3.6	3.1	2.7	2.2	1.8	1.6	1.4
			40	0.085	6.3	5.0	4.2	3.6	3.2	2.5	2.1	1.8	1.6
			50	0.095	7.1	5.6	4.7	4.0	3.5	2.8	2.4	2.0	1.8
			60	0.104	7.7	6.2	5.2	4.4	3.9	3.1	2.6	2.2	1.9
40285-015	40433-047 or 40432-047	100	20	0.090	6.7	5.4	4.5	3.8	3.3	2.7	2.2	1.9	1.7
			25	0.101	7.5	6.0	5.0	4.3	3.7	3.0	2.5	2.1	1.9
			30	0.110	8.2	6.6	5.5	4.7	4.1	3.3	2.7	2.3	2.0
			40	0.128	9.5	7.6	6.3	5.4	4.7	3.8	3.2	2.7	2.4
			50	0.143	10.6	8.5	7.1	6.0	5.3	4.2	3.5	3.0	2.6
			60	0.156	11.6	9.3	7.7	6.6	5.8	4.6	3.9	3.3	2.9
40285-02	40433-047 or 40432-047	50	20	0.12	8.9	7.1	6.0	5.1	4.5	3.6	3.0	2.6	2.2
			25	0.13	10.0	8.0	6.7	5.7	5.0	4.0	3.3	2.9	2.5
			30	0.15	10.9	8.7	7.3	6.2	5.5	4.4	3.6	3.1	2.7
			40	0.17	12.6	10.1	8.4	7.2	6.3	5.0	4.2	3.6	3.2
			50	0.19	14.1	11.3	9.4	8.1	7.1	5.6	4.7	4.0	3.5
			60	0.21	15.5	12.4	10.3	8.8	7.7	6.2	5.2	4.4	3.9
40285-025	40433-047 or 40432-047	50	20	0.15	11.2	8.9	7.4	6.4	5.6	4.5	3.7	3.2	2.8
			25	0.17	12.5	10.0	8.3	7.1	6.2	5.0	4.2	3.6	3.1
			30	0.18	13.7	10.9	9.1	7.8	6.8	5.5	4.6	3.9	3.4
			40	0.21	15.8	12.6	10.5	9.0	7.9	6.3	5.3	4.5	3.9
			50	0.24	17.6	14.1	11.8	10.1	8.8	7.1	5.9	5.0	4.4
			60	0.26	19.3	15.5	12.9	11.0	9.7	7.7	6.4	5.5	4.8
40285-03	40433-067 or 40432-086	50	20	0.18	13.4	10.7	8.9	7.7	6.7	5.4	4.5	3.8	3.3
			25	0.20	15.0	12.0	10.0	8.6	7.5	6.0	5.0	4.3	3.7
			30	0.22	16.4	13.1	10.9	9.4	8.2	6.6	5.5	4.7	4.1
			40	0.26	18.9	15.1	12.6	10.8	9.5	7.6	6.3	5.4	4.7
			50	0.29	21.2	16.9	14.1	12.1	10.6	8.5	7.1	6.0	5.3
			60	0.31	23.2	18.6	15.5	13.3	11.6	9.3	7.7	6.6	5.8
40285-04	40433-067 or 40432-086	50	20	0.24	17.9	14.3	11.9	10.2	8.9	7.1	6.0	5.1	4.5
			25	0.27	20.0	16.0	13.3	11.4	10.0	8.0	6.7	5.7	5.0
			30	0.29	21.9	17.5	14.6	12.5	10.9	8.7	7.3	6.2	5.5
			40	0.34	25.2	20.2	16.8	14.4	12.6	10.1	8.4	7.2	6.3
			50	0.38	28.2	22.6	18.8	16.1	14.1	11.3	9.4	8.1	7.1
			60	0.42	30.9	24.7	20.6	17.7	15.5	12.4	10.3	8.8	7.7
40285-05	40433-067 or 40432-086	50	20	0.30	22.3	17.9	14.9	12.8	11.2	8.9	7.4	6.4	5.6
			25	0.34	24.9	20.0	16.6	14.3	12.5	10.0	8.3	7.1	6.2
			30	0.37	27.3	21.9	18.2	15.6	13.7	10.9	9.1	7.8	6.8
			40	0.43	31.6	25.2	21.0	18.0	15.8	12.6	10.5	9.0	7.9
			50	0.48	35.3	28.2	23.5	20.2	17.6	14.1	11.8	10.1	8.8
			60	0.52	38.6	30.9	25.8	22.1	19.3	15.5	12.9	11.0	9.7
40285-06	40433-067 or 40432-086	50	20	0.36	26.8	21.4	17.9	15.3	13.4	10.7	8.9	7.7	6.7
			25	0.40	29.9	23.9	20.0	17.1	15.0	12.0	10.0	8.6	7.5
			30	0.44	32.8	26.2	21.9	18.7	16.4	13.1	10.9	9.4	8.2
			40	0.51	37.9	30.3	25.2	21.6	18.9	15.1	12.6	10.8	9.5
			50	0.57	42.3	33.9	28.2	24.2	21.2	16.9	14.1	12.1	10.6
			60	0.62	46.4	37.1	30.9	26.5	23.2	18.6	15.5	13.3	11.6
40285-08	40433-067 or 40432-086	50	20	0.48	35.7	28.6	23.8	20.4	17.9	14.3	11.9	10.2	8.9
			25	0.54	39.9	31.9	26.6	22.8	20.0	16.0	13.3	11.4	10.0
			30	0.59	43.7	35.0	29.2	25.0	21.9	17.5	14.6	12.5	10.9
			40	0.68	50.5	40.4	33.7	28.9	25.2	20.2	16.8	14.4	12.6
			50	0.76	56.4	45.2	37.6	32.3	28.2	22.6	18.8	16.1	14.1
			60	0.83	61.8	49.5	41.2	35.3	30.9	24.7	20.6	17.7	15.5

NOTE: For additional Pre-Orifice flow rates larger than "08" listed in above chart, please visit www.wilger.net or contact our office.



40510-00 / 40511-00



40193-00 / 40194-00



40516-00 / 40517-00



40195-00 / 40196-00



40526-00 / 40527-00



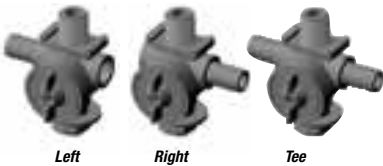
40197-00 / 40198-00

Single Outlet Nozzle Wet Boom Body – Radiallock		
PART	DESCRIPTION	PRICE(B)
40510-00	3/4" Wet Boom Single Radiallock	6.05
40511-00	1" Wet Boom Single Radiallock	6.05
Single Outlet Nozzle Wet Boom Body – Square Lug		
PART	DESCRIPTION	PRICE(B)
40193-00	3/4" Wet Boom Single Square Lug	6.05
40194-00	1" Wet Boom Single Square Lug	6.05

Double Outlet Nozzle Wet Boom Body – Radiallock		
PART	DESCRIPTION	PRICE(B)
40516-00	3/4" Wet Boom Double Radiallock	15.55
40517-00	1" Wet Boom Double Radiallock	15.55
Double Outlet Nozzle Wet Boom Body – Square Lug		
PART	DESCRIPTION	PRICE(B)
40195-00	3/4" Wet Boom Double Square Lug	15.55
40196-00	1" Wet Boom Double Square Lug	15.55

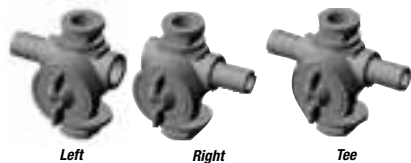
Triple Outlet Nozzle Wet Boom Body – Radiallock		
PART	DESCRIPTION	PRICE(B)
40526-00	3/4" Wet Boom Triple Radiallock	19.10
40527-00	1" Wet Boom Triple Radiallock	19.10
Triple Outlet Nozzle Wet Boom Body – Square Lug		
PART	DESCRIPTION	PRICE(B)
40197-00	3/4" Wet Boom Triple Square Lug	19.10
40198-00	1" Wet Boom Triple Square Lug	19.10

PLEASE NOTE: The above Combo-Jet® wet boom nozzle bodies feature the new hinged clamp for easier installation. The original two-piece style Combo-Jet® nozzle bodies are still available by SPECIAL ORDER ONLY. Please contact our office for pricing and availability.



Compact Diaphragm Bodies

PART	DESCRIPTION	PRICE (B)
40360-00	Left Body 11/16" Thread x 3/8" Hose	9.15
40365-00	Left Body 11/16" Thread x 1/2" Hose	9.15
40370-00	Left Body 11/16" Thread x 3/4" Hose	9.15
40361-00	Right Body 11/16" Thread x 3/8" Hose	9.15
40366-00	Right Body 11/16" Thread x 1/2" Hose	9.15
40371-00	Right Body 11/16" Thread x 3/4" Hose	9.15
40362-00	Tee Body 11/16" Thread x 3/8" Hose	9.15
40367-00	Tee Body 11/16" Thread x 1/2" Hose	9.15
40372-00	Tee Body 11/16" Thread x 3/4" Hose	9.15
LOCKNUT	11/16" Poly Lock Nut	.75



Compact Diaphragm Body For Dry Boom

PART	DESCRIPTION	PRICE (B)
40380-00	Left Body 3/8" Hose	9.15
40385-00	Left Body 1/2" Hose	9.15
40390-00	Left Body 3/4" Hose	9.15
40381-00	Right Body 3/8" Hose	9.15
40386-00	Right Body 1/2" Hose	9.15
40391-00	Right Body 3/4" Hose	9.15
40382-00	Tee Body 3/8" Hose	9.15
40387-00	Tee Body 1/2" Hose	9.15
40392-00	Tee Body 3/4" Hose	9.15
40155-07	Fairprene Diaphragm Only	1.00



Molded Diaphragm w/ O-ring Seat

- One-piece diaphragm is self-seating in check valve O-ring groove. FKM material – may be black or red.

PART	DESCRIPTION	PRICE (B)
40155-23	Diaphragm / O-ring Combo	3.90



Fertilizer Caps

- If used with pre-orifice (40285-**) use universal seal 40260-00.
- If used less pre-orifice use universal adapter 40261-00 and 40260-00 seal.

PART	DESCRIPTION	PRICE (B)
40420-05	1/8" Hose Barb	1.50
40422-05	1/4" Hose Barb	1.50
40424-05	3/8" Hose Barb	1.50
40426-05	1/2" Hose Barb	1.50
40260-00	O-Ring Seal	.30
40261-00	Adapter (if required)	.45



Pre-Orifice

PART	SIZE	DESCRIPTION	PRICE(B)
40285-005	005	Black Orifice	7.75
40285-007	007	Pink Orifice	7.75
40285-01	01	Orange Orifice	5.85
40285-015	015	Green Orifice	5.85
40285-02	02	Yellow Orifice	5.85
40285-025	025	Purple Orifice	5.85
40285-03	03	Blue Orifice	5.85
40285-04	04	Red Orifice	5.85
40285-05	05	Brown Orifice	5.85
40285-06	06	Grey Orifice	5.85
40285-08	08	White Orifice – long	5.85
40285-08S	08	White Orifice – short	5.85
40285-10	10	Light Blue Orifice – long	5.85
40285-10S	10	Light Blue Orifice – short	5.85
40285-125	12.5	Teal Orifice – long	5.85
40285-13S	12.5	Teal Orifice – short	5.85
40285-15	15	Light Green Orifice	5.85
40285-20	20	Tan Orifice	5.85
40285-25	25	Black Orifice	5.85



Radiallock Caps

PART	DESCRIPTION	PRICE (B)
40269-01	Universal Slot - Red	1.00
40269-02	Universal Slot - White	1.00
40269-03	Universal Slot - Green	1.00
40269-04	Universal Slot - Yellow	1.00
40276-01	Universal Slot - AI Tips	1.10
40276-02	Universal Slot - AI Tips	1.10
40276-03	Universal Slot - AI Tips	1.10
40276-04	Universal Slot - AI Tips	1.10
40271-01	Universal Round - Red	1.10
40271-02	Universal Round - White	1.10
40271-03	Universal Round - Green	1.10
40271-04	Universal Round - Yellow	1.10
40273-02	1/4" NPT Outlet	1.40
40274-04	Yellow - 1/4" NPT 45° Outlet	3.20
40272-01	Plug - Red	1.10
40272-03	Plug - Green	1.10
40272-04	Plug - Yellow	1.10



Adapters c/w Seal

- Easily converts Quick-Jet bodies to Combo-Jet or Combo-Jet to Quick-Jet bodies. Includes O-ring

PART	DESCRIPTION	PRICE (B)
40200-00	Adapter, TeeJet to Combo-Jet	2.55
40203-00	Adapter, Combo-Jet to TeeJet	2.55
40204-00	Adapter, TeeJet to Combo-Jet	2.45

NOTE: Part # 40204-00 is a new, easy-to-use twist on/off design. Original 40200-00 (not shown) snaps onto body.