

HYPRO®



1502 Series Roller Pumps

- 6 roller
- 27 GPM 50 PSI @ 540, 56 GPM 50 PSI @ 1000.
- 540 or 1000 RPM.

PART	DESCRIPTION	PRICE (€)
1502C	Cast Iron	1116.15
1502N	Ni-Resist	1683.65
1502XL	Silver Cast	2410.70



1700 Series Roller Pumps

- 5 roller.
- 50 PSI.
- 20 GPM-540 RPM.

PART	DESCRIPTION	PRICE (€)
1700C	Cast Iron	690.35
1700N	Ni-Resist	1370.65
1700XL	Silver Cast	1924.20



6500 Series Roller Pumps

- 6 roller.
- 8 GPM at 540-50 PSI, 16 GPM at 1000-50 PSI.
- 540 or 1000 RPM.

PART	DESCRIPTION	PRICE (€)
6500C	Cast Iron	333.85
6500N	Ni-Resist	764.50
6500XL	Silver Cast	1055.50



7560 Series Roller Pump

- 8 roller.
- 50 PSI.
- 11 GPM-540 RPM, 22 GPM-1000 RPM.

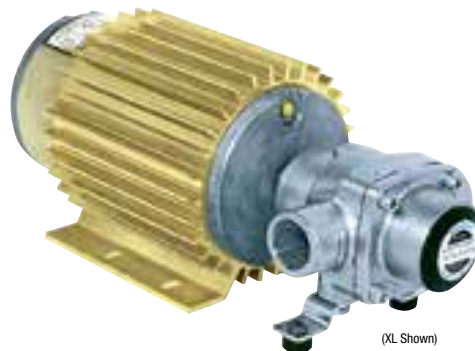
PART	DESCRIPTION	PRICE (€)
7560C	Cast Iron	436.10
7560N	Ni-Resist	867.30
7560XL	Silver Cast	1258.20



7700 Series Roller Pumps

- 7 roller.
- 12 GPM @ 50 PSI.
- 540 RPM.

PART	DESCRIPTION	PRICE (€)
7700C	Cast Iron	443.20
7700N	Ni-Resist	848.30
7700XL	Silver Cast	1288.60



4101N-AEH Roller Pump

- 12 V DC Motor.
- Super rollers and Viton seals.
- 1/3 HP.
- 50 PSI maximum.
- 6 GPM @ 25 PSI, 17 AMP.
- 7.5 GPM open flow.

PART	DESCRIPTION	PRICE (€)
4101N-AEH	Ni-Resist	1216.20
4101XL-AEH	XL Silver Cast	1476.85

Note: For Parts, see Parts Section



4101 Series Roller Pumps

- 4 roller pump.
- 3/4" inlet/outlet.
- 5/8" stainless steel shaft.

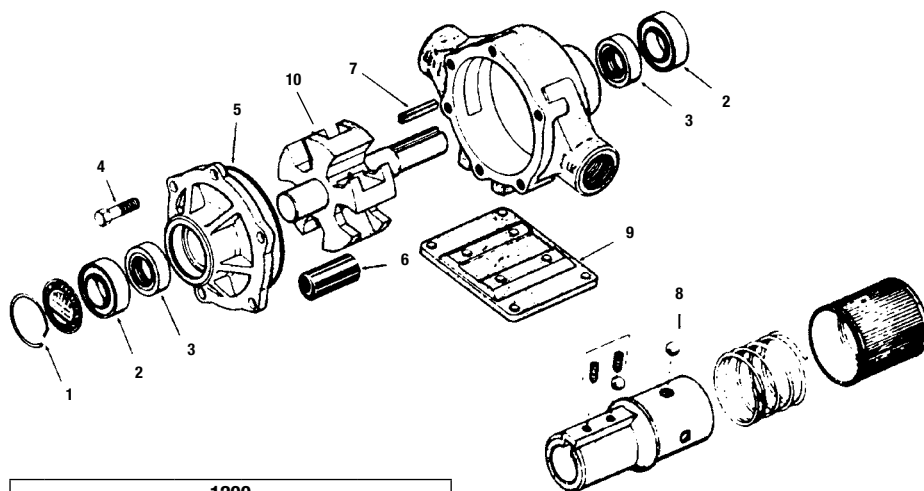
PART	DESCRIPTION	PRICE (€)
4101C	Cast Iron	308.25
4101N	Ni-Resist	554.55

Roller Pump Accessory Selection Guide

DESCRIPTION	1500 SERIES	1700 SERIES	6500 SERIES	7560 SERIES	7700 SERIES	4000 SERIES
540 rpm 1 3/8" Forged Steel PTO Adapter	1320-0076	1320-0076	1320-0077	1320-0076	1320-0076	----
1000 rpm 1 3/8" Forged Steel PTO Adapter	1320-0078	1320-0078	1320-0079	1320-0078	----	1320-0079
1000 rpm 1 3/4" Forged Steel PTO Adapter	1320-0080	1320-0080	----	1320-0080	----	----
540 rpm 1 1/8" Forged Steel Quick Coupler	1323-0072	1323-0072	1323-0074	1323-0072	1323-0072	----
1000 rpm 1 3/8" Forged Steel Quick Coupler	1323-0073	1323-0073	1323-0075	1323-0073	----	----
Multi-Speed 1 3/8" Forged Steel Quick Coupler	1323-0076	1323-0076	1323-0077	1323-0076	1323-0076	1323-0077
Steel Shaft Adapter 3/4" x 5/8"	----	----	1320-0015	----	----	1320-0015
Steel Shaft Adapter 5/8" x 5/8"	----	----	1320-0016	----	----	1320-0016
Repair Kits	3430-0387 3430-0386	3430-0437	3430-0380	3430-0381	3430-0384	3430-0390
Torque Arm Kit	----	3430-0540	3430-0540	3430-0540	3430-0540	----
Base Kits	3420-0004	3420-0010	3420-0023	3420-0003	3420-0010	3420-0024* 3420-0025**
Hydraulic Flange Kit	----	----	----	3430-0636	----	----

NOTE: * For electric motor drive 3 1/2" shaft centerline (4001, 4101) ** For gas engine drive 4 3/16" shaft centerline (4101 only).

FOR A PRICE LIST OF HYPRO ROLLER PUMPS PARTS, SEE BACK OF CATALOGUE.



Die Cast Couplers

- 1321-0006: 1 1/8" (6 Spline) PTO (I.D.), 5/8" Shaft, 540 RPM
- 1321-0007: 1 1/8" (6 Spline) PTO (I.D.), 15/16" Shaft, 540 RPM
- 1321-0008: 1 1/8" (21 Spline) PTO (I.D.), 5/8" Shaft, 1,000 RPM
- 1321-0009: 1 1/8" (21 Spline) PTO (I.D.), 15/16" Shaft, 1,000 RPM
- 1321-0012: 1 1/8" (Multi-Speed) PTO (I.D.), 5/8" Shaft, 540/1,000 RPM
- 1321-0013: 1 1/8" (Multi-Speed) PTO (I.D.), 15/16" Shaft, 540/1,000 RPM

1200				
REF	PART	REQ'D	DESCRIPTION	PRICE (€)
2	2001-0006	2	Bearing	30.75
4	2210-0019	4	Bolt	1.15
5	1720-0127		O-Ring	CALL
7	1610-0005		Key	2.45
10	0300-1502C		Rotor & Shaft	422.90

1500				
REF	PART	REQ'D	DESCRIPTION	PRICE (€)
1	2300-0020		Retainer	2.20
2	2008-0001	2	Bearing	22.40
3	2112-0003	2	Viton Seal	24.70
4	2210-0005	6	Bolt	1.15
5	1720-0003		O-Ring	4.40
6	1005-0005	6	Roller	12.00
7	1610-0005		Key	2.45
8	3250-0004	3	Ball	1.80
	3430-0386		Repair Kit	121.40
10	0300-1502C		Rotor & Shaft	422.90

6500				
REF	PART	REQ'D	DESCRIPTION	PRICE (€)
1	2300-0021		Retainer	2.20
2	2000-0010	2	Bearing	15.20
3	2107-0002	2	Seal	15.60
4	2210-0004	4	Bolt	1.35
5	1720-0008		O-Ring	2.25
6	1005-0004	6	Roller	5.75
8	3250-0004	3	Ball	1.80
9	3420-0023		Base Kit	53.26
	3430-0380		Repair Kit	64.00

PART	DESCRIPTION	PRICE (€)
1321-0006	For 6500	79.65
1321-0007	For 1500, 1700, 7560, 7700	86.25
1321-0008	For 4000, 6500	N/A
1321-0009	For 1500, 1700, 7560	94.60
1321-0012	For 4000, 6500	79.65
1321-0013	For 1500, 7560, 7700	84.90

1700				
REF	PART	REQ'D	DESCRIPTION	PRICE (€)
1	2300-0020		Retainer	2.20
2	2008-0001	2	Bearing	22.40
3	2112-0001	2	Buna Seal	22.55
3	2112-0003	2	Viton Seal	24.70
4	2210-0005	6	Bolt	1.15
5	1720-0099		O-Ring	3.05
6	1005-0005	5	Roller	12.00
7	1610-0005		Key	2.45
8	3250-0004	3	Ball	1.80
	3430-0437		Repair Kit	108.20
10	0300-1700C		Rotor & Shaft	283.80

7700				
REF	PART	REQ'D	DESCRIPTION	PRICE (€)
1	2300-0020		Retainer	2.20
2	2008-0001	2	Bearing	22.40
3	2112-0001	2	Buna Seal	22.55
3	2112-0003	2	Viton Seal	24.70
4	2210-0004	4	Bolt	1.35
5	1720-0014		O-Ring	3.35
6	1005-0004	7	Roller	5.75
7	1610-0005		Key	2.45
8	3250-0004	3	Ball	1.80
9	3420-0010		Base Kit	84.20
	3430-0381		Repair Kit	91.50
10	0300-7700C		Rotor	N/A



Forged Steel Couplers

- 1323-0072: 1 1/8" (6 Spline) PTO (I.D.), 15/16" Shaft, 540 RPM
- 1323-0073: 1 1/8" (21 Spline) PTO (I.D.), 15/16" Shaft, 1,000 RPM
- 1323-0074: 1 1/8" (6 Spline) PTO (I.D.), 5/8" Shaft, 540 RPM
- 1323-0075: 1 1/8" (21 Spline) PTO (I.D.), 5/8" Shaft, 1,000 RPM
- 1323-0076: 1 1/8" (Multi-Speed) PTO (I.D.), 15/16" Shaft, 540/1,000 RPM
- 1323-0077: 1 1/8" (Multi-Speed) PTO (I.D.), 5/8" Shaft, 540/1,000 RPM

4101				
REF	PART	REQ'D	DESCRIPTION	PRICE (€)
1	2300-0021		Retainer	2.20
2	2000-0010	2	Bearing	15.20
3	2107-0002	2	Seal	15.60
4	2220-0018	4	Bolt	1.35
5	1720-0104		O-Ring	1.45
6	1002-0002	4	Roller	5.00
9	3420-0004		Base Kit - Gas	CALL
	3430-0390		Repair Kit	54.25
10	0300-4101C		Rotor & Shaft	N/A

7560				
REF	PART	REQ'D	DESCRIPTION	PRICE (€)
1	2300-0020		Retainer	2.20
2	2008-0001	2	Bearing	22.40
3	2112-0001	2	Buna Seal	22.55
3	2112-0003	2	Viton Seal	24.70
4	2210-0004	4	Bolt	1.35
5	1720-0014		O-Ring	3.35
6	1005-0004	8	Roller	5.75
7	1610-0005		Key	2.45
8	3250-0004	3	Ball	1.80
9	3420-0003		Base Kit	83.50
	3430-0381		Repair Kit	91.50
10	0308-7560C		Rotor	201.70

PART	DESCRIPTION	PRICE (€)
1323-0072	For 1500, 1700, 7560, 7700	112.35
1323-0073	For 1500, 1700, 7560	107.85
1323-0074	For 6500	86.60
1323-0075	For 4000, 6500	112.35
1323-0076	For 1500, 1700, 7560	182.25
1323-0077	For 4000, 6500	217.00