



TEEJET 744E WITH 430 MANIFOLD SPRAYER CONTROL SYSTEM

The TeeJet Technologies 744E Sprayer Controller is perfect for converting hitched sprayers and small-size trailer sprayers from manual valves to electric ball valves. The 744E is available as a complete kit equipped with a back-lit pressure gauge, active boom section LED indicator, and cable kit.

The 430 Ball Valve Manifold (ordered separately) is an ideal match for the 744E and is available with a wide variety of inlet and outlet fittings to work perfectly with your sprayer.

Features:

- Choice of 3- or 5- switch 744E Controller
- Compatible with 430 Manifold, including Regulating Valve, 3-Way Ball Valves, Pressure Relief Valve and Strainer
- Back-lit pressure gauge for easy viewing in low light conditions
- Dual scale, 100 PSI (7 bar) pressure gauge
- LED indication of active boom sections
- Kit includes harness for TeeJet 430 Ball Valve



5-Section Controller Console (90-50255) shown

744E Console Kits

- Available in 3 and 5 switch models
- 430 DIN Harness with battery connection
- Valves and fittings sold separately

PART	DESCRIPTION	PRICE (B)
90-50255	744E Console w/ 5-Section configuration	1001.10
90-50254	744E Console w/ 3-Section configuration	863.50

How To Order A Complete 744E Series Controller with 430 Series Manifold System:

1. Choose either the 5-section or 3-section 744E Controller Console
2. Choose the corresponding 5-section or 3-section Valve Manifold
3. Choose your Inlet Fittings (2 required for manifold set-up)
4. Choose your Outlet Fittings (3 or 5 required depending on manifold)
5. Choose your Bypass Fittings (2 required for manifold set-up)
6. Optionally choose the Chemical Isolator Kit



3-Section 430 Series Valve Manifold (98600-B-433EC-2) shown

TeeJet 430 Series Valve Manifolds

- Available in 3 and 5 Section models
- All valve manifolds include regulating valve (1 RPM), section valves, relief valve, and strainer.
- Inlet, Outlet, and Bypass Flow fittings sold separately.

PART	DESCRIPTION	PRICE (B)
98600-B-435EC-2	430 Series 2-Way, 5-Section Valve Manifold	2207.80
98600-B-433EC-2	430 Series 2-Way, 3-Section Valve Manifold	1619.35

TeeJet 430 Series Valve Manifold Fittings

Inlet Fittings (2 Required)		
PART	DESCRIPTION	PRICE(B)
58456-3/4	3/4" Female NPT Quick Connect Kit	25.80
58456-1	1" Female NPT Quick Connect Kit	25.80
58456-1/4	1/4" Female NPT Gauge Port Large QC Kit	25.80
58456-C	Large Quick Connect Cap Kit	25.80
58456-1000	1" Straight Hose Barb Large QC Kit	25.80
58456-1-1/4	1 1/4" Female NPT Quick Connect Kit	25.80

NOTE: "58456" Series Fittings also available in 1 1/4" & 1 1/2" FNPT and 1 1/4", 1 1/2", & 2" Hose Barb

Outlet Fittings (3 or 5 Required)		
PART	DESCRIPTION	PRICE(B)
45529-1/2	1/2" Straight Hose Barb Quick Connect Kit	13.35
45529-3/4	3/4" Straight Hose Barb Quick Connect Kit	13.35
45529-1	1" Straight Hose Barb Quick Connect Kit	13.35
45529-90-1/2	1/2" 90° Hose Barb Quick Connect Kit	13.35
45529-90-3/4	3/4" 90° Hose Barb Quick Connect Kit	13.35
45529-90-1	1" 90° Hose Barb Quick Connect Kit	13.35

Bypass Flow Fittings (2 Required*)		
PART	DESCRIPTION	PRICE(B)
45529P	Quick Connect Plug	13.35
45529-90-1	1" 90° Quick Connect Kit	13.35
45529-1	1" Quick Connect Kit	13.35

NOTE: *MUST order plug (1) and hose barb (1) when using Flow Back or 3-Way section valves

Optional Components		
PART	DESCRIPTION	PRICE(E)
2300	Chemical Isolator Kit	103.75



Banjo 3" On/Off Valve

- Female NPT or Manifold style.
- Stainless steel hardware.
- Fiberglass reinforced polypropylene.
- Glass reinforced PTFE seats.
- FKM (Viton type) or EPDM O-rings.
- 12-Volt DC operated.
- 100 PSI maximum pressure @ 70°F.
- Internally fused/automatic reset.

PART	DESCRIPTION	PRICE (C)
EV300FP	3" FNPT, 12 Volt, 3 Sec., 3 Wire	2792.95
MEV300CF	3" Manifold, 12 V, 3 Sec., 3 Wire	2792.95



Banjo 12 V Valve

- 4 second delay.

PART	DESCRIPTION	PRICE (C)
EV075	3/4"	662.00
EV100FP	1"	662.00
EV125	1 1/4"	662.00



Banjo 12 V Valve

- 4 second delay.

PART	DESCRIPTION	PRICE (C)
EV150	1 1/2"	970.35
EV204FP	2" - Full Port	1024.25



450 Series Manifold Shut-Off Valve

- 2-Way manifold-style shut-off valve w/ 1" Female NPT outlet port.
- 0.7 Second shut-off. Flying leads.
- Sold in 1, 3, and 5 gang configurations.

PART	DESCRIPTION	PRICE (B)
451BEC-24-C	1 Manifold Valve	457.10
453BEC-24-C	3 Manifold Valve	1428.35
455BEC-24-C	5 Manifold Valve	2357.35



Poly Relief Valves

- Stainless steel spring.
- 1/4" blind port for pressure gauge to be drilled by customer.
- Up to 150 PSI.

PART	DESCRIPTION	PRICE (B)
23120-1/2	1/2"	51.60
23120-3/4	3/4"	51.60
AB23120	Repair Kit	26.45



244 Regulator

- 100 PSI max., 28 GPM (5 PSI drop).
- 3/4" inlet/outlet.
- 0.15 amp draw.
- 2 wire lead for 12 V.

PART	DESCRIPTION	PRICE (B)
2443/4	Regulator	228.15



2-Way Valves

PART	DESCRIPTION	PRICE (B)
344BEC23-3/4	3/4", 2 Sec. Shut-off	445.85
344BEC24-1	1", 2 Sec. Shut-off	445.85
344BR2401C	1", 18 Sec. Shut-off	458.20
AB344AE	Repair Kit	84.75



3-Way Valves

- 2 second delay.

PART	DESCRIPTION	PRICE (B)
344BEC3-1	1"	545.60
AB344AE	Repair Kit	84.75



Diaphragm Relief Valves

- Stainless steel springs.
- 56 GPM max. (1/2" model), 70 GPM max. (3/4" model)
- 50-300 PSI.
- Diaphragm operation.

PART	DESCRIPTION	PRICE (B)
84601/2300	1/2" - 300 PSI	98.25
84603/4300	3/4" - 300 PSI	98.25
84601/250	1/2" - 50 PSI	98.25
84603/450	3/4" - 50 PSI	98.25
AB8460	Repair Kit	35.50



110 Relief Valves

- 1/4" or 3/8".
- 1000 PSI max.

PART	DESCRIPTION	PRICE (B)
1101/450	1/4", 50 PSI	83.60
1101/4300	1/4", 300 PSI	83.60
1101/4700	1/4", 700 PSI	83.60
1103/8300	3/8", 300 PSI	83.60
1103/8700	3/8", 300-700 PSI	83.60
1103/81000	1000 PSI	89.45



110 Series Aluminum Valves

- Brass available on request.
- 150 PSI max.

PART	DESCRIPTION	PRICE (B)
110-1AL	1"	237.55
110-11/4AL	1 1/4"	257.45
110-11/2AL	1 1/2"	257.45



6815 Relief Valves

- Up to 1200 PSI.
- Hardened SS seats available.

PART	DESCRIPTION	PRICE (B)
68151/250	1/2", 50 PSI	111.05
68151/2300	1/2", 300 PSI	111.05
68151/2700	1/2", 700 PSI	111.05
68151/21200HS	1/2", 1200 PSI	228.80
68153/450	3/4", 50 PSI	111.05
68153/4300	3/4", 300 PSI	111.05
68153/4700	3/4", 700 PSI	111.05
68153/41200HS	3/4", 1200 PSI	228.80
AB6815300	300 PSI Repair Kit	24.85



144P Series Valve

- 100 PSI max., 10 GPM (5 PSI drop).
- Viton diaphragms.
- No stroke adjustment required.
- SS armature and armature stop.
- 3/4" inlet, 1/2" outlet.
- 2.5 amp draw.

PART	DESCRIPTION	PRICE (B)
144P1	Solenoid Valve	314.65



144A Series Valves

- Poly body with EPDM diaphragm.
- Coil serviced without removal of valve.
- 100 PSI max., 10 GPM (5 PSI drop).
- 2.5 amp draw.
- 3/4" inlet, 1/2" outlet.

PART	DESCRIPTION	PRICE (B)
144 A1	Valve	228.30
144 A2	2 Gang	462.50
144 A3	3 Gang	696.70
AB144A1	Repair Kit 5/8" Hole	43.15



145 Series Valve

- Fiberglass reinforced body.
- 100 PSI max., 15 GPM (5 PSI drop).
- 2.9 amp draw.
- 1" inlet/outlet.

PART	DESCRIPTION	PRICE (B)
145H1	1" x 1"	522.70
AB145H	Repair Kit	77.70
AB145HVI	Viton Kit	111.35



344 Series 12V Pressure Regulating Valve

- 1" FNPT Inlet / Outlet.
- 6 Second; 27 RPM.
- Wetted parts are Nylon, Polypropylene, stainless steel, Teflon®, and Viton®.

PART	DESCRIPTION	PRICE (B)
35-02099	Pressure Regulating Valve	342.90

NOTE: Other regulating valves available; please call.



144A1 3-Way Valve

- 0-65 PSI., 8 GPM (5 PSI drop).
- Coil changer without removing valve.
- EPDM seat washer and diaphragm.

PART	DESCRIPTION	PRICE (B)
144A13	3-Way Valve	310.65
AB144A13	Repair Kit	49.55



430 Series 2-Way Valves

- Durable – all metal gears provide long wear life; stainless steel stem and ball resist corrosion
- Economical – reliable performance at a reasonable cost
- Flow Rate: 11.7 gpm @ 5 psi; 16.5 gpm @ 10 psi pressure drop

CALL US OR SEE PARTS SECTION IN CATALOGUE FOR PRICING AND ORDERING INFORMATION



BANJO Mini Electric Ball Valves

- Two styles – Female NPT and mini manifold
- 12 Volt DC
- Response time: 1/3 second from open to close
- Fiberglass reinforced polypropylene ball
- TFM seats
- EDPM seals
- Maximum pressure: 200 PSI @ 70°F (21.1°C)
- Stationary current draw: less than 0.04 amps
- Rotating current draw: less than 0.40 amps
- Stall current: 0.75 amps
- Standard 3 wire configuration
- Integrated mounting slot

Also available in John Guest® Push Lock connections and square lug spray tip adapter. Call for more information.



LEV038 shown

Banjo Mini Female NPT 12V Electrical Ball Valves

PART	DESCRIPTION	PRICE (C)
LEV038	3/8" Full Port Valve – 3/8" FNPT ports, 3/8" opening through ball	251.85
LEV050	1/2" Full Port Valve – 1/2" FNPT ports, 15/32" opening through ball	251.85



Banjo Mini Manifold 12V Electrical Ball Valve

PART	DESCRIPTION	PRICE (C)
MLEV100	1" Electric Valve – 1" Manifold ports, 1/2" opening through ball	268.75



Electric Sprayer Pressure Regulator

The Model 1560 and 1541 electric pressure regulators are equipped with a precision high torque motor and gear reduction, and high strength valve body for heavy-duty service. Chemical resistant glass-filled nylon body has stainless steel motor shaft and butterfly, and Viton seal. Low current draw, 50 MA at 12 volt. Maximum recommended pressure is 150 PSI. Speed at 12 volt = 1 RPM, at 6 volt = .5 RPM.

Model 1560: 3/4" NPT with 3/4" orifice and close-tolerance butterfly for use as either bypass regulator or throttling valve. Use for flow rates up to 50 GPM.

Model 1541: 1" NPT with 1" orifice. Use for flow rates from 15 to 100 GPM.

PART	DESCRIPTION	PRICE (E)
1560A	3/4" - Up to 50 GPM	178.60
1541A	1" - 15 to 100 GPM	205.00



Chemical Isolator Kit

Chemical isolator kit keeps chemicals from entering tractor or truck cab for added operator safety. Dampens and protects pressure gauge from corrosive chemicals. Large capacity assures accurate pressure reading. Maximum operating pressure, 150 PSI (1000 kPa). Pre-filled at the factory with non-toxic RV antifreeze.

2300 chemical isolator kit complete with mounting bracket and fittings for both 1/2" and 3/4" tubing. Packed in clam shell display package.

PART	DESCRIPTION	PRICE (E)
2300	Kit	103.75



2200 Series Solenoid Valves

Series 2200 12-Volt DC solenoid valves have 1/4" NPT female inlet and outlet. The valve housing is made of glass filled nylon and the wetted metal parts of 304 and 430 stainless steel. Viton seals and O-rings are standard. Coils are totally epoxy encapsulated with 1/4" male spade or Weather Pack sealed electrical connections. These direct operating valves can be used for foam and dye markers, small sprayers, boom end nozzles, chemical injection systems, individual nozzle shut-offs, etc.

PART	DESCRIPTION	PRICE (E)
2203A	1/4" NPT, 1/2 GPM, 175 PSI	101.90



3-Way Solenoid Valve

The 2204 3-way 12-volt DC solenoid valve has a 1/4" female NPT inlet and two 1/4" female NPT outlets. The valve housing is made of glass-filled nylon and the wetted metal parts are made of 304 and 430 stainless steel. Viton seals and O-rings are standard. The weather resistant coil is totally epoxy-encapsulated.

Ideal for foam markers to control both air and liquid - 0.105 diameter orifice, 0.22 CV rating, 1/2 GPM (1.9 LPM), 40 PSI (275 kPa), 12-Volt DC, 0.85 amps.

PART	DESCRIPTION	PRICE (E)
2204A	3-Way Solenoid Valve	121.35



2100C Series 12-Volt Electric Shut-Off Valve

The 2100C boom shut-off valves feature a 3/4" FNPT inlet, 3/4" MNPT bypass outlet, and 1/2" FNPT boom outlet. The epoxy-encapsulated coil draws 2.0 amps at 12 volts. Wetted parts are made of 430 stainless steel and chemical resistant glass-filled nylon body. Equipped with Viton seat and seal. Can be "ganged" together by simply screwing one into another.

The 2100C Series valves operate at a maximum 125 PSI and 0 to 10 GPM (only 7 PSI drop @ 10 GPM).

PART	DESCRIPTION	PRICE (E)
2100C-1	Solenoid Shut-Off Valve, Single	157.60



1999A Series Electric Shut-off Valve

Series 1999A 12 volt DC electric boom shut-off valves have 1" NPT female inlet, 1" male bypass outlet, and 3/4" NPT female boom line outlet for high volume applications at minimum pressure loss (pressure drop is only 5 PSI at 15 GPM). Current draw of only 1.1 amp per valve. Chemical resistant glass-filled nylon body with Viton diaphragm and seals. Maximum operating pressure is 175 PSI. For multiple valve units, simply screw one valve to another.

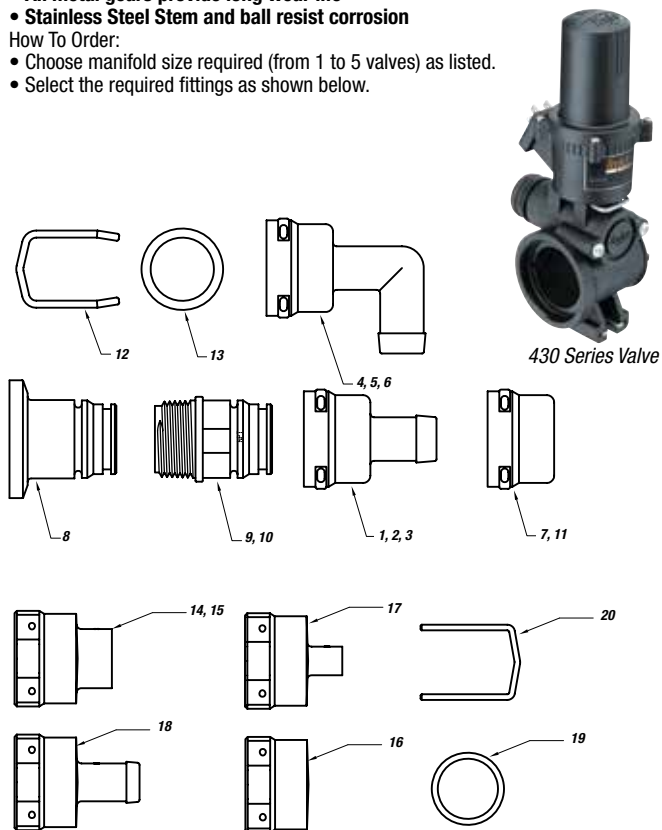
PART	DESCRIPTION	PRICE (E)
1999A1	Solenoid Valve	209.90
1999A1-KIT	Repair Kit new style short plunger	71.60
1999A1-KIT-OLD	Repair Kit old style short plunger 1 1/4"	95.45



TeeJet 430 Series Ball Valves

New Platform of Compact, Durable Valves Offering Superior Performance

- All metal gears provide long wear life
 - Stainless Steel Stem and ball resist corrosion
- How To Order:
- Choose manifold size required (from 1 to 5 valves) as listed.
 - Select the required fittings as shown below.



430 Series Valves

PART	DESCRIPTION	PRICE (B)
431EC-2-D	1 Valve Manifold – 2-Way, 0.6 second shut-off	342.40
432EC-2-D	2 Valve Manifold – 2-Way, 0.6 second shut-off	621.85
433EC-2-D	3 Valve Manifold – 2-Way, 0.6 second shut-off	901.60
434EC-2-D	4 Valve Manifold – 2-Way, 0.6 second shut-off	1205.10
435EC-2-D	5 Valve Manifold – 2-Way, 0.6 second shut-off	1506.40
58480EC-05	MINI-DIN Cable, 3-Wire, Flying Leads, 20"	23.85

NOTE: "EC" = SPST Switch; "D" = Positively Switched

Quick Connect Hose Barb Fitting and Adapter Kits

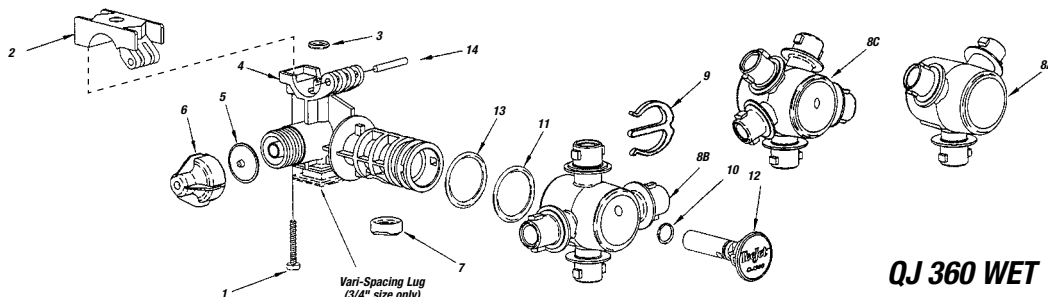
REF	PART	DESCRIPTION	PRICE (B)
1	45529-1/2	½" Quick Connect Kit (c/w ref 12, 13)	13.35
2	45529-3/4	¾" Quick Connect Kit (c/w ref 12, 13)	13.35
3	45529-1	1" Quick Connect Kit (c/w ref 12, 13)	13.35
4	45529-90-1/2	½" 90° Quick Connect Kit (c/w ref 12, 13)	13.35
5	45529-90-3/4	¾" 90° Quick Connect Kit (c/w ref 12, 13)	13.35
6	45529-90-1	1" 90° Quick Connect Kit (c/w ref 12, 13)	13.35
7	45529C	Quick Connect Cap Kit (c/w ref 12, 13)	13.35
8	46029PP	Adapter, 50-Series Flange x Male QC	7.55
9	45527NY	Adapter, ¾" MNPT x Male QC	8.80
10	45526NY	Adapter, 1" MNPT x Male QC	8.80
11	55243NY	Cap ONLY, Nylon (Black)	8.05
12	37166302SS	Retaining Clip, 302 SS	3.70
13	7717-3-912VI	O-Ring, Viton	8.55

NOTE: "45529" Series also available in 5/8" Hose Barb; Please Call.

Large Quick Coupler Hose Barb, Gauge Port, Fitting, and Adapter Kits

REF	PART	DESCRIPTION	PRICE (B)
14	58456-3/4	¾" FNPT Quick Connect Kit	25.80
15	58456-1	1" FNPT Quick Connect Kit	25.80
16	58456-C	Large Quick Connect Cap Kit	25.80
17	58456-1/4	¼" NPT Gauge Port Large QC Kit	25.80
18	58456-1000	1" Large QC Straight Hose Barb Kit	25.80
19	7717-M40X4VI	O-Ring, Viton (included in above kits)	2.90
20	58439-302SS	Retaining Clip, SS (included in above kits)	3.30

NOTE: "58456" Series also available in 1 ¼" and 1 ½" FNPT and 1 ¼", 1 ½", and 2" Hose Barb; Please Call.



QJ 360 WET

REF	PART	DESCRIPTION	PRICE (B)
1	48255-11/4	Screw, 430 SS	5.10
2	48223NYB	½" Upper Clamp	2.70
2	48221NYB	¾" Upper Clamp	2.70
2	48222NYB	1" Upper Clamp	2.70
3	7717-2/110BU	O-Ring, Buna-N	1.00
3	7717-2/110VI	O-Ring, Viton (optional)	1.50
4	389422NYB	½" Split-Eyelet Body	7.65
4	389252NYB	¾" Split-Eyelet Body	7.65
4	389262NYB	1" Split-Eyelet Body	7.65
5	21953EPR	Diaphragm, EPDM	.70
5	21953VI	Diaphragm, Viton (optional)	2.20
6	21950-10	End Cap Assembly	5.60
7	389431VI	Viton Seal for Old Series	3.75
7	56726-VITFE	Viton-Teflon Seal for "C" Series	8.40
8A	389212NYB	363 Turret – 3 outlet	6.95
8B	389222NYB	364 Turret – 4 outlet	7.50
8C	389232NYB	365 Turret – 5 outlet	7.95
9	38931NY	E Clip	2.35

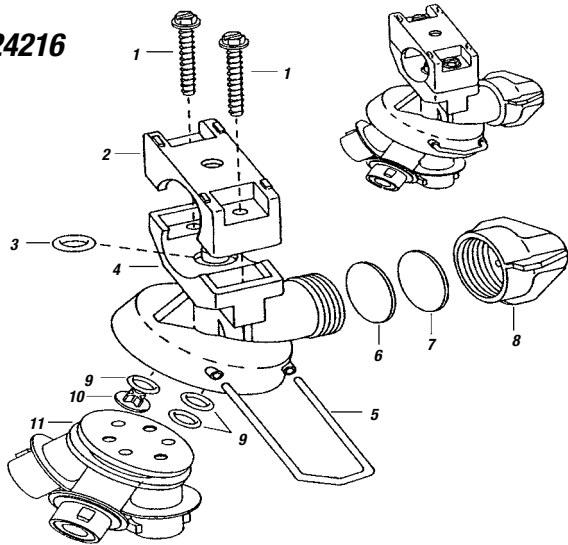
REF	PART	DESCRIPTION	PRICE (B)
10	7717-2/13EPR	O-Ring, EPDM Rubber	3.45
10	7717-2/13VI	O-Ring, Viton (optional)	9.30
11	7717-M28-EPR	O-Ring, EPDM	5.00
11	7717-M28-VI	O-Ring, Viton (optional)	13.70
12	38930-8-NYB	Nylon Plug (black)	2.35
13	7717-M28-EPR	O-Ring Dust Seal, EPR Rubber	5.00
13	7717-M28-VI	O-Ring Dust Seal, Viton (optional)	13.70
14	48256SS	Pivot Pin, 303 SS	1.45

To Convert Wet Boom Assemblies to Dry Boom Configurations, Use The Following Fittings With The "389252NYB" ¾" Split-Eyelet Body

N/A	38936NY	½" Elbow	3.70
N/A	38938NY	¾" Elbow	3.70
N/A	38940NY	1" Elbow	3.70
N/A	38937NY	½" Tee	4.40
N/A	38939NY	¾" Tee	4.40
N/A	38941NY	1" Tee	4.40
N/A	38948NY	½" MNPT x ¾" Hose Shank	4.40

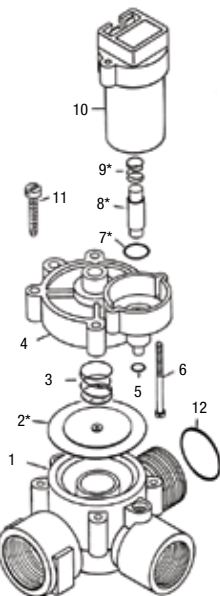


QJ24216



REF	PART	DESCRIPTION	PRICE (B)
1	2012311/4	Screw, 430 SS (for QJ242161/2 and QJ242163/4)	5.10
1	1767413/8SS	Screw, 430 SS (for QJ242161)	4.95
2	24226NYB	Upper Clamp, Nylon (Black) (for QJ242161/2)	4.50
2	24222NYB	Upper Clamp, Nylon (Black) (for QJ242163/4)	4.50
2	17553PPB	Upper Clamp, Poly (Black) (for QJ242161)	N/A
3	7717-2/110BU	O-Ring, Buna-N	1.00
4	24225NY	Main Body w/Lower Clamp, Nylon (Black) (for QJ242161/2)	10.05
4	24220NY	Main Body w/Lower Clamp, Nylon (Black) (for QJ242163/4)	10.05
4	24227NY	Main Body w/Lower Clamp, Nylon (Black) (for QJ242161)	10.05
5	24221304SS	Clip, 304 SS	4.00
6	6227TEF*	Diaphragm, Teflon (optional)	1.20
7	21953EPR	Diaphragm, EPDM Rubber	.70
8	21950-10	Chemsaver End Cap Assembly, Nylon (Black)	5.60
9	7717-2/109EPR	O-Ring, EPDM Rubber (3 required)	3.35
10	24224CE	Indexing Button, Celcon (Grey)	.85
11	242171CE	Indexing Plate Sub-Assembly, Celcon (Black)	17.20

*When the #6227TEF Teflon Diaphragm is used, it is placed in the assembly in front of the #21953-EPR rubber diaphragm

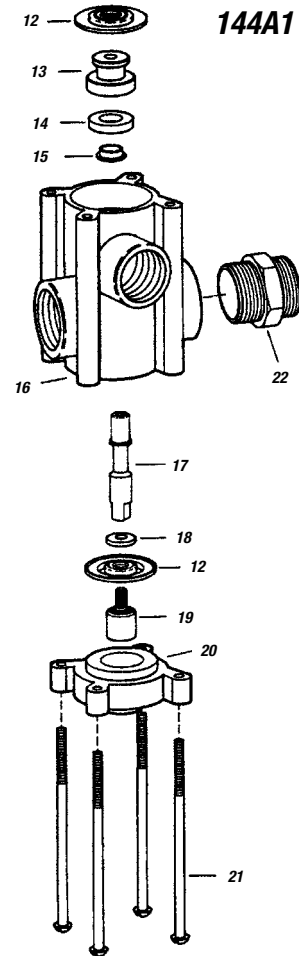
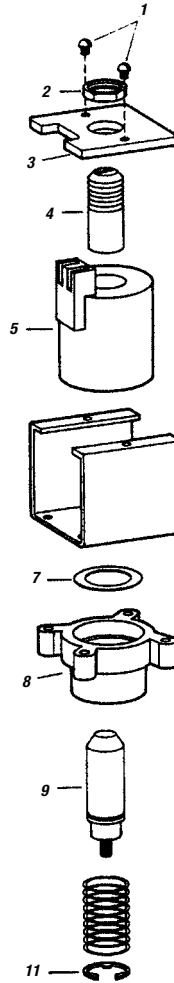


1999 Solenoid Valve

REF	PART	DESCRIPTION	PRICE (E)
1	1962	Valve Body	40.20
2*	1974 ▲●	Viton Diaphragm	53.00
3	1975	Spring	10.20
4	1963	Valve Cover	39.20
5*	1976 ▲●	Viton O-Ring	N/A
6	-	6 - 32 x 3" Screw	N/A
7*	1977 ▲●	Viton O-Ring	7.15
8*	1978 ▲	Plunger 1999 (old)	48.10
8*	2239 ●	Plunger 1999A (new)	45.10
9	1979 ▲●	Plunger Spring	10.40
10	2613	Coil 1999	107.00
10	2515	Coil 1999A	97.50
11	-	#8 x 1 1/2" Screw	N/A
12	2168	O-Ring	4.70
▲	1999A1-KIT-OLD		95.45
●	1999A1-KIT	Repair Kit 1999A	71.60

*Parts Included in Repair Kit.

NOTE: Part # 1978 is for old-style valve; plunger length is 32 mm. New style plunger (part # 2239) is 25 mm in length. Measure before you order!



REF	PART	DESCRIPTION	PRICE (B)
1	14933SS	Screw, SS (2 required)	2.45
2	15168	Jam Nut, Steel, Electroless Nickel Plate	8.10
3	151661	Coil Cover, Steel, Epoxy Painted	7.10
4	151611	Armature Stop, Steel, Electroless Nickel Plate	17.25
5	15163NY	Coil Assembly, Nylon Encapsulated (Black)	79.55
7	15169SS	Washer, 302 SS	3.15
8	15164	Upper Diaphragm Housing, Nylon (Black), Glass Filled	8.45
9	15170	Armature, Steel, Electroless Nickel Plate	31.75
11	148131	Retaining Ring, Steel, Electroless Nickel Plate	3.15
12*	36101EPR	Diaphragm, EPDM Rubber (Standard, 2 required)	11.30
12**	36101VI	Diaphragm, Viton (Optional, 2 required)	25.40
13	14807SS	Seat Washer Retainer, SS	25.70
14*	14802EPR	Seat Washer, EPDM Rubber (Standard)	8.75
14**	14802VI	Seat Washer, Viton (Optional)	30.65
15	14811SS	Spacer, SS	7.45
16	14801PP	Body, Polypropylene (Black)	22.85
17	14812SS	Stem, SS	29.10
18	14806SS	Washer, SS	8.55
19	15162SS	Lower Diaphragm Piston, SS	16.20
20	15165NY	Lower Diaphragm Housing, Glass Filled Nylon (Black)	31.35
21	14819SS	Screw, SS (4 required)	2.90
22	21737NY	Connecting Nipple, Nylon (Black)	7.30
*	AB144A1	Repair Kit	43.15
**	AB144A1VI	Repair Kit	64.55