

# Sprinklers and Components

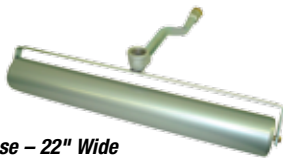


**Quick Couplers and Valves**

| Quick Coupling / Valve Cross Reference Chart |   |          |          |           |          |        |
|--|---|----------|----------|-----------|----------|--------|
| KEY PART #                                   | TOP INSIDE FEMALE/ OUTSIDE MALE THREAD SIZE | KEY SIZE | VALVES   |           |          |        |
|  |   |          | #3 Valve | #44 Valve | #5 Valve | QCV075 |
| 33K  | 1/2" / 3/4"                                 | 1/2"     |          |           |          |        |
| 44K  | 3/4" / 1"                                   | 3/4"     |          |           |          |        |
| 55K  | N/A / 1"                                    | 1"       |          |           |          |        |
| QB33K07                                      | 1/2" / 3/4"                                 | 3/4"     |          |           |          |        |
| QB44K10                                      |   |          |          |           |          |        |
| QB5RK10                                      | 3/4" / 1"                                   | 1"       |          |           |          |        |

| Rainbird Valves & Keys |          |            |          |
|------------------------|----------|------------|----------|
| KEY PART               | PRICE(I) | VALVE PART | PRICE(I) |
| 33K                    | 65.65    | #3VALVE    | 99.85    |
| 44K                    | 148.95   | #44VALVE   | 182.25   |
| 55K                    | 166.75   | #5VALVE    | 155.20   |

| Storm Buckner Valves & Keys |          |            |          |
|-----------------------------|----------|------------|----------|
| KEY PART                    | PRICE(I) | VALVE PART | PRICE(I) |
| QB33K07                     | 49.55    | QCV075     | 77.85    |
| QB44K10                     | 106.25   | QCV100     | 109.45   |
| QB5RK10                     | 110.30   | QBRB5RC10  | 118.65   |



**Roller Base – 22" Wide**

| PART         | DESCRIPTION                      | PRICE (I) |
|--------------|----------------------------------|-----------|
| ROLLERBASE22 | For 3/4" or 1" Impact Sprinklers | 177.95    |



**Ring Bases**

| PART         | DESCRIPTION     | PRICE (G) |
|--------------|-----------------|-----------|
| RINGBASE-1/2 | 1/2" NPT Outlet | 21.85     |
| RINGBASE-3/4 | 3/4" NPT Outlet | 23.10     |



**Brass Swivel Elbows**

| PART      | DESCRIPTION | PRICE (I) |
|-----------|-------------|-----------|
| SWIVEL34  | 3/4"        | 59.55     |
| SWIVEL1   | 1"          | 82.90     |
| SWIVEL134 | 1" x 3/4"   | 68.50     |



**Rotor Max Midi Sprinkler**

- Dual outlet spinner enhances sprinkler performance.
- Easily taken apart for cleaning.
- UV-stabilized materials for long life.
- 1/2" Male thread.

| PRESSURE (PSI) | FLOW (GPM) | DIAMETER (FEET) | STREAM HEIGHT (FT.) |
|----------------|------------|-----------------|---------------------|
| 15             | 2.4        | 40.0            | 2.3                 |
| 20             | 2.8        | 42.0            | 2.7                 |
| 30             | 3.7        | 46.0            | 3.4                 |
| 40             | 4.2        | 45.0            | 3.9                 |

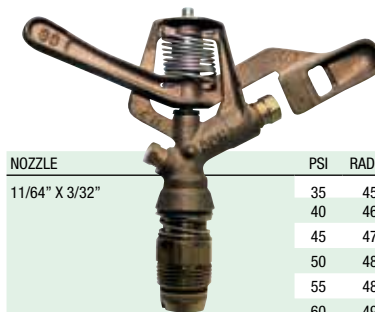
| PART       | DESCRIPTION             | PRICE(H) |
|------------|-------------------------|----------|
| ROTORMAX-P | Rotormax - 0.15" Nozzle | 11.55    |



**Adjustable Impact Sprinkler Heads**

- SU63: 20 to 340 or full circle pattern; 25 – 55 PSI; 3.54 – 5.44 GPM. 35 – 48 foot head spacing.
- 65P10: 20 to 340 or full circle pattern; 25 - 60 PSI; 3.54 – 5.64 GPM. 33 – 47 foot head spacing.
- SU261: 20 to 340 or full circle pattern; 30 - 60 PSI; 3.94 – 13.73 GPM. 41 – 50 foot head spacing.

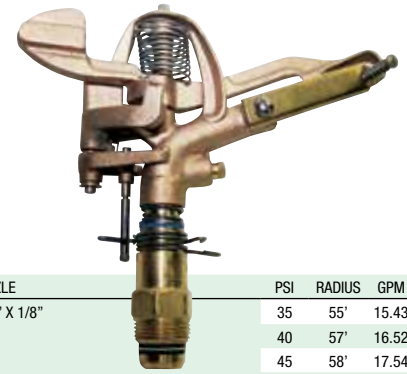
| PART  | DESCRIPTION                        | PRICE (I) |
|-------|------------------------------------|-----------|
| SU63  | 1/2" MNPT Brass Impact Sprinkler   | 50.10     |
| 65P10 | 1/2" MNPT HD Poly Impact Sprinkler | 9.30      |
| SU261 | 3/4" MNPT Brass Impact Sprinkler   | 80.25     |



| NOZZLE         | PSI | RADIUS | GPM   |
|----------------|-----|--------|-------|
| 11/64" X 3/32" | 35  | 45'    | 6.73  |
|                | 40  | 46'    | 7.21  |
|                | 45  | 47'    | 7.62  |
|                | 50  | 48'    | 8.03  |
|                | 55  | 48'    | 8.43  |
|                | 60  | 49'    | 8.71  |
|                | 65  | 49'    | 9.11  |
|                | 70  | 50'    | 9.45  |
|                | 75  | 50'    | 9.79  |
|                | 80  | 51'    | 10.06 |

**3/4" Full Circle Dual Nozzle Impact Sprinkler**

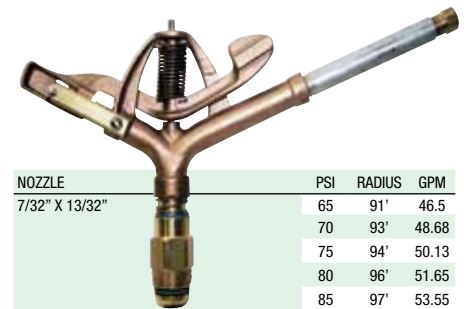
| PART   | DESCRIPTION                        | PRICE (I) |
|--------|------------------------------------|-----------|
| 2000S  | Buckner 3/4" Full Circle Sprinkler | 39.10     |
| 100255 | Optional 1/4" Rear Plug            | CALL      |



| NOZZLE       | PSI | RADIUS | GPM   |
|--------------|-----|--------|-------|
| 9/32" X 1/8" | 35  | 55'    | 15.43 |
|              | 40  | 57'    | 16.52 |
|              | 45  | 58'    | 17.54 |
|              | 50  | 60'    | 18.49 |
|              | 55  | 62'    | 19.31 |
|              | 60  | 65'    | 20.26 |
|              | 65  | 67'    | 21.01 |
|              | 70  | 70'    | 21.82 |
|              | 75  | 71'    | 22.57 |
|              | 80  | 72'    | 23.25 |
|              | 85  | 74'    | 24.00 |
|              | 90  | 75'    | 24.75 |
| 95           | 77' | 25.49  |       |
| 100          | 78' | 26.24  |       |

**1" WAU360 Adjustable Impact Sprinkler**

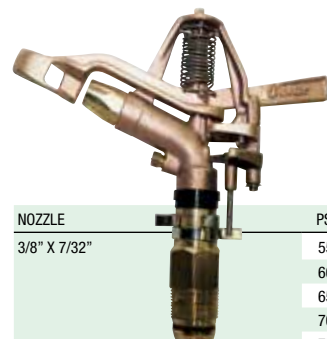
| PART   | DESCRIPTION                     | PRICE (I) |
|--------|---------------------------------|-----------|
| WAU360 | Buckner 1" Adjustable Sprinkler | 148.90    |



| NOZZLE         | PSI | RADIUS | GPM   |
|----------------|-----|--------|-------|
| 7/32" X 13/32" | 65  | 91'    | 46.5  |
|                | 70  | 93'    | 48.68 |
|                | 75  | 94'    | 50.13 |
|                | 80  | 96'    | 51.65 |
|                | 85  | 97'    | 53.55 |
|                | 90  | 99'    | 54.86 |
|                | 95  | 100'   | 56.37 |
|                | 100 | 101'   | 58.00 |

**1 1/4" WAU400 Full Circle Impact Sprinkler**

| PART   | DESCRIPTION                          | PRICE (I) |
|--------|--------------------------------------|-----------|
| WAU400 | Buckner 1 1/4" Full Circle Sprinkler | 252.80    |



| NOZZLE       | PSI | RADIUS | GPM  |
|--------------|-----|--------|------|
| 3/8" X 7/32" | 55  | 77'    | 35.7 |
|              | 60  | 79'    | 37.2 |
|              | 65  | 81'    | 38.7 |
|              | 70  | 83'    | 40.2 |
|              | 75  | 85'    | 41.7 |
|              | 80  | 85'    | 43.2 |
|              | 85  | 86'    | 44.7 |
|              | 90  | 87'    | 46.2 |
|              | 95  | 87'    | 46.9 |

**1 1/4" WAU460 Adjustable Impact Sprinkler**

| PART   | DESCRIPTION                         | PRICE (I) |
|--------|-------------------------------------|-----------|
| WAU460 | Buckner 1 1/4" Adjustable Sprinkler | 340.55    |