



**ER Series Combo-Jet Spray Tips**

- ER8002 avg. median dia. @ 40 PSI: 224 microns.
- Comes with O-ring seal.

**80°**

PART	DESCRIPTION	PRICE (B)
ER80-01	Spray Tip Orange	10.75
ER80-015	Spray Tip Green	10.75
ER80-02	Spray Tip Yellow	10.75
ER80-025	Spray Tip Purple	10.75
ER80-03	Spray Tip Blue	10.75
ER80-04	Spray Tip Red	10.75
ER80-05	Spray Tip Brown	10.75
ER80-06	Spray Tip Grey	10.75
ER80-08	Spray Tip White	10.75
ER80-10	Spray Tip Light Blue	10.75
ER80-125	Spray Tip Teal	10.75
ER80-15	Spray Tip Light Green	10.75
ER80-20	Spray Tip Black	10.75
ER80-30	Spray Tip Black	10.75

**110°**

PART	DESCRIPTION	PRICE (B)
ER110-01	Spray Tip Orange	10.75
ER110-015	Spray Tip Green	10.75
ER110-02	Spray Tip Yellow	10.75
ER110-025	Spray Tip Purple	10.75
ER110-03	Spray Tip Blue	10.75
ER110-04	Spray Tip Red	10.75
ER110-05	Spray Tip Brown	10.75
ER110-06	Spray Tip Grey	10.75
ER110-08	Spray Tip White	10.75
ER110-10	Spray Tip Light Blue	10.75



**DR Series Combo-Jet Combined Spray Tip/Cap Screen Nozzle System**

Major advantages of Combo-Jet® DR series:

- Reduction of 75 to 95% of driftable fines compared to standard nozzles.
- DR8002 avg. median dia. @ 40 PSI: 416 microns.

PART	DESCRIPTION	PRICE (B)
DR80-01	Spray Tip Orange	15.85
DR80-015	Spray Tip Green	15.85
DR80-02	Spray Tip Yellow	15.85
DR80-025	Spray Tip Purple	15.85
DR80-03	Spray Tip Blue	15.85
DR80-04	Spray Tip Red	15.85
DR80-05	Spray Tip Brown	15.85
DR80-06	Spray Tip Grey	15.85
DR80-08	Spray Tip White	15.85
DR80-10	Spray Tip Black	15.85
DR80-15	Spray Tip Black	15.85
DR80-20	Spray Tip Black	15.85
DR80-25	Spray Tip Black	15.85

Note: Includes O-ring installed in cap



**MR Series Combo-Jet Spray Tips**

- Similar to DR Series, but the MR tip decreases the volume median diameter of droplet.
- More droplet size in the 290 micron range for improved chemical efficacy.
- MR8002 avg. median dia. @ 40 PSI: 293 microns.

**80°**

PART	DESCRIPTION	PRICE (B)
MR80-01	Spray Tip Orange	15.85
MR80-015	Spray Tip Green	15.85
MR80-02	Spray Tip Yellow	15.85
MR80-025	Spray Tip Purple	15.85
MR80-03	Spray Tip Blue	15.85
MR80-04	Spray Tip Red	15.85
MR80-05	Spray Tip Brown	15.85
MR80-06	Spray Tip Grey	15.85
MR80-08	Spray Tip White	15.85
MR80-10	Spray Tip Light Blue	15.85
MR80-125	Spray Tip Teal	15.85
MR80-15	Spray Tip Light Green	15.85
MR80-20	Spray Tip Tan	15.85
MR80-25	Spray Tip Black	15.85
MR80-30	Spray Tip Black	15.85
MR80-40	Spray Tip Black	15.85
MR80-50	Spray Tip Black	15.85

**110°**

PART	DESCRIPTION	PRICE (B)
MR110-015	Spray Tip Green	15.85
MR110-02	Spray Tip Yellow	15.85
MR110-025	Spray Tip Purple	15.85
MR110-03	Spray Tip Blue	15.85
MR110-04	Spray Tip Red	15.85
MR110-05	Spray Tip Brown	15.85
MR110-06	Spray Tip Grey	15.85
MR110-08	Spray Tip White	15.85
MR110-10	Spray Tip Light Blue	15.85
MR110-125	Spray Tip Black	15.85

Note: Includes O-ring installed in cap



**Combo-Jet Seal Ring**

PART	DESCRIPTION	PRICE (B)
40260-00		.25



50-Mesh Strainer shown above

**Combo-Jet Strainers**

- Available in 50 and 100-mesh (not shown).

PART	DESCRIPTION	PRICE (B)
40250-00	50-Mesh Strainer (blue)	1.75
40251-00	100-Mesh Strainer (green)	1.75



**SR Series Combo-Jet Spray Tips**

- Drift Reduction Tip with drop size larger than the "ER" Series and smaller than the "MR" Series.
- Available in 80° and 110°.

**80°**

PART	DESCRIPTION	PRICE (B)
SR80-01	Spray Tip Orange	15.85
SR80-015	Spray Tip Green	15.85
SR80-02	Spray Tip Yellow	15.85
SR80-025	Spray Tip Purple	15.85
SR80-03	Spray Tip Blue	15.85
SR80-04	Spray Tip Red	15.85
SR80-05	Spray Tip Brown	15.85
SR80-06	Spray Tip Grey	15.85
SR80-08	Spray Tip White	15.85
SR80-10	Spray Tip Light Blue	15.85
SR80-125	Spray Tip Teal	15.85
SR80-15	Spray Tip Light Green	15.85
SR80-20	Spray Tip Black	15.85
SR80-25	Spray Tip Black	15.85
SR80-30	Spray Tip Black	15.85
SR80-40	Spray Tip Black	15.85
SR80-50	Spray Tip Black	15.85

**110°**

PART	DESCRIPTION	PRICE (B)
SR110-015	Spray Tip Green	15.85
SR110-02	Spray Tip Yellow	15.85
SR110-025	Spray Tip Purple	15.85
SR110-03	Spray Tip Blue	15.85
SR110-04	Spray Tip Red	15.85
SR110-05	Spray Tip Brown	15.85
SR110-06	Spray Tip Grey	15.85
SR110-08	Spray Tip White	15.85
SR110-10	Spray Tip Light Blue	15.85
SR110-125	Spray Tip Teal	15.85
SR110-15	Spray Tip Light Green	15.85

Note: Includes O-Ring installed in cap



**NEW!**

**UR Series Combo-Jet Spray Tips**

- Specially designed for certain chemical applications that require exceptional drift control.
- Dual-Chamber Drift Reduction; Ultra-Coarse.

PART	DESCRIPTION	PRICE (B)
UR110-025	UR Spray Tip Purple	25.85
UR110-03	UR Spray Tip Blue	25.85
UR110-04	UR Spray Tip Red	25.85
UR110-05	UR Spray Tip Brown	25.85
UR110-06	UR Spray Tip Grey	25.85
UR110-08	UR Spray Tip White	25.85
UR110-10	UR Spray Tip Light Blue	25.85

# Wilger Liquid Fertilizer Tips



Fertilizer Cap 40432



Fertilizer Cap 40433

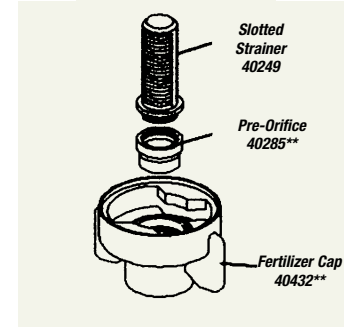
### Combo-Jet Fertilizer Caps

PART	DESCRIPTION	PRICE (B)
40432-047	Fertilizer Cap 2 Hole Combo-Jet	7.20
40432-086	Fertilizer Cap 2 Hole Combo-Jet	7.20
40433-047	Fertilizer Cap 3 Hole Combo-Jet	9.25
40433-067	Fertilizer Cap 3 Hole Combo-Jet	9.25
40433-104	Fertilizer Cap 3 Hole Combo-Jet	9.25



### Pre-Orifice

PART	SIZE	DESCRIPTION	PRICE(B)
40285-005	005	Black Orifice	7.25
40285-007	007	Pink Orifice	7.25
40285-01	01	Orange Orifice	5.50
40285-015	015	Green Orifice	5.50
40285-02	02	Yellow Orifice	5.50
40285-025	025	Purple Orifice	5.50
40285-03	03	Blue Orifice	5.50
40285-04	04	Red Orifice	5.50
40285-05	05	Brown Orifice	5.50
40285-06	06	Grey Orifice	5.50
40285-08	08	White Orifice – long	5.50
40285-08S	08	White Orifice – short	5.50
40285-10	10	Light Blue Orifice – long	5.50
40285-10S	10	Light Blue Orifice – short	5.50
40285-125	12.5	Teal Orifice – long	5.50
40285-13S	12.5	Teal Orifice – short	5.50
40285-15	15	Light Green Orifice	5.50
40285-20	20	Tan Orifice	5.50
40285-25	25	Black Orifice	5.50



50M Strainer 40249

### Strainers

PART	DESCRIPTION	PRICE(B)
40247-00	16M Strainer – grey poly	1.75
40248-00	25M Strainer – yellow poly	1.75
40249-00	50M Strainer – red poly	1.75
40251-00	100M Strainer – stainless mesh	1.75

NOTE: 16M, 25M, and 50M poly strainers are slotted.

PRE-ORIFICE PART	CAP PART	SCREEN MESH	PSI	CAPACITY 1 NOZZLE IN GPM	Based on flow for fertilizer @ 0.85 times theoretical for water															
					U.S. GPA @ 4 MPH	U.S. GPA @ 5 MPH	U.S. GPA @ 6 MPH	U.S. GPA @ 7 MPH	U.S. GPA @ 8 MPH	U.S. GPA @ 10 MPH	U.S. GPA @ 12MPH	U.S. GPA @ 14 MPH	U.S. GPA @ 16 MPH							
40285-01	40433-047 or 40432-047	100	20	0.060	4.5	3.6	3.0	2.6	2.2	1.8	1.5	1.3	1.1							
			25	0.067	5.0	4.0	3.3	2.9	2.5	2.0	1.7	1.4	1.2							
			30	0.074	5.5	4.4	3.6	3.1	2.7	2.2	1.8	1.6	1.4							
			40	0.085	6.3	5.0	4.2	3.6	3.2	2.5	2.1	1.8	1.6							
			50	0.095	7.1	5.6	4.7	4.0	3.5	2.8	2.4	2.0	1.8							
			60	0.104	7.7	6.2	5.2	4.4	3.9	3.1	2.6	2.2	1.9							
40285-015	40433-047 or 40432-047	100	20	0.090	6.7	5.4	4.5	3.8	3.3	2.7	2.2	1.9	1.7							
			25	0.101	7.5	6.0	5.0	4.3	3.7	3.0	2.5	2.1	1.9							
			30	0.110	8.2	6.6	5.5	4.7	4.1	3.3	2.7	2.3	2.0							
			40	0.128	9.5	7.6	6.3	5.4	4.7	3.8	3.2	2.7	2.4							
			50	0.143	10.6	8.5	7.1	6.0	5.3	4.2	3.5	3.0	2.6							
			60	0.156	11.6	9.3	7.7	6.6	5.8	4.6	3.9	3.3	2.9							
40285-02	40433-047 or 40432-047	50	20	0.12	8.9	7.1	6.0	5.1	4.5	3.6	3.0	2.6	2.2							
			25	0.13	10.0	8.0	6.7	5.7	5.0	4.0	3.3	2.9	2.5							
			30	0.15	10.9	8.7	7.3	6.2	5.5	4.4	3.6	3.1	2.7							
			40	0.17	12.6	10.1	8.4	7.2	6.3	5.0	4.2	3.6	3.2							
			50	0.19	14.1	11.3	9.4	8.1	7.1	5.6	4.7	4.0	3.5							
			60	0.21	15.5	12.4	10.3	8.8	7.7	6.2	5.2	4.4	3.9							
40285-025	40433-047 or 40432-047	50	20	0.15	11.2	8.9	7.4	6.4	5.6	4.5	3.7	3.2	2.8							
			25	0.17	12.5	10.0	8.3	7.1	6.2	5.0	4.2	3.6	3.1							
			30	0.18	13.7	10.9	9.1	7.8	6.8	5.5	4.6	3.9	3.4							
			40	0.21	15.8	12.6	10.5	9.0	7.9	6.3	5.3	4.5	3.9							
			50	0.24	17.6	14.1	11.8	10.1	8.8	7.1	5.9	5.0	4.4							
			60	0.26	19.3	15.5	12.9	11.0	9.7	7.7	6.4	5.5	4.8							
40285-03	40433-067 or 40432-086	50	20	0.18	13.4	10.7	8.9	7.7	6.7	5.4	4.5	3.8	3.3							
			25	0.20	15.0	12.0	10.0	8.6	7.5	6.0	5.0	4.3	3.7							
			30	0.22	16.4	13.1	10.9	9.4	8.2	6.6	5.5	4.7	4.1							
			40	0.26	18.9	15.1	12.6	10.8	9.5	7.6	6.3	5.4	4.7							
			50	0.29	21.2	16.9	14.1	12.1	10.6	8.5	7.1	6.0	5.3							
			60	0.31	23.2	18.6	15.5	13.3	11.6	9.3	7.7	6.6	5.8							
40285-04	40433-067 or 40432-086	50	20	0.24	17.9	14.3	11.9	10.2	8.9	7.1	6.0	5.1	4.5							
			25	0.27	20.0	16.0	13.3	11.4	10.0	8.0	6.7	5.7	5.0							
			30	0.29	21.9	17.5	14.6	12.5	10.9	8.7	7.3	6.2	5.5							
			40	0.34	25.2	20.2	16.8	14.4	12.6	10.1	8.4	7.2	6.3							
			50	0.38	28.2	22.6	18.8	16.1	14.1	11.3	9.4	8.1	7.1							
			60	0.42	30.9	24.7	20.6	17.7	15.5	12.4	10.3	8.8	7.7							
40285-05	40433-067 or 40432-086	50	20	0.30	22.3	17.9	14.9	12.8	11.2	8.9	7.4	6.4	5.6							
			25	0.34	24.9	20.0	16.6	14.3	12.5	10.0	8.3	7.1	6.2							
			30	0.37	27.3	21.9	18.2	15.6	13.7	10.9	9.1	7.8	6.8							
			40	0.43	31.6	25.2	21.0	18.0	15.8	12.6	10.5	9.0	7.9							
			50	0.48	35.3	28.2	23.5	20.2	17.6	14.1	11.8	10.1	8.8							
			60	0.52	38.6	30.9	25.8	22.1	19.3	15.5	12.9	11.0	9.7							
40285-06	40433-067 or 40432-086	50	20	0.36	26.8	21.4	17.9	15.3	13.4	10.7	8.9	7.7	6.7							
			25	0.40	29.9	23.9	20.0	17.1	15.0	12.0	10.0	8.6	7.5							
			30	0.44	32.8	26.2	21.9	18.7	16.4	13.1	10.9	9.4	8.2							
			40	0.51	37.9	30.3	25.2	21.6	18.9	15.1	12.6	10.8	9.5							
			50	0.57	42.3	33.9	28.2	24.2	21.2	16.9	14.1	12.1	10.6							
			60	0.62	46.4	37.1	30.9	26.5	23.2	18.6	15.5	13.3	11.6							
40285-08	40433-067 or 40432-086	50	20	0.48	35.7	28.6	23.8	20.4	17.9	14.3	11.9	10.2	8.9							
			25	0.54	39.9	31.9	26.6	22.8	20.0	16.0	13.3	11.4	10.0							
			30	0.59	43.7	35.0	29.2	25.0	21.9	17.5	14.6	12.5	10.9							
			40	0.68	50.5	40.4	33.7	28.9	25.2	20.2	17.2	14.8	12.6							
			50	0.76	56.4	45.2	37.6	32.3	28.2	22.6	18.8	16.1	14.1							
			60	0.83	61.8	49.5	41.2	35.3	30.9	24.7	20.6	17.7	15.5							

NOTE: For additional Pre-Orifice flow rates larger than "08" listed in above chart, please visit [www.wilger.net](http://www.wilger.net) or contact our office.



40510-00 / 40511-00



40193-00 / 40194-00



40516-00 / 40517-00



40195-00 / 40196-00



40526-00 / 40527-00



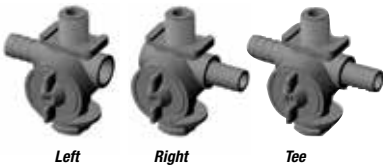
40197-00 / 40198-00

Single Outlet Nozzle Wet Boom Body – Radiallock		
PART	DESCRIPTION	PRICE(B)
40510-00	3/4" Wet Boom Single Radiallock	5.75
40511-00	1" Wet Boom Single Radiallock	5.75
Single Outlet Nozzle Wet Boom Body – Square Lug		
PART	DESCRIPTION	PRICE(B)
40193-00	3/4" Wet Boom Single Square Lug	5.75
40194-00	1" Wet Boom Single Square Lug	5.75

Double Outlet Nozzle Wet Boom Body – Radiallock		
PART	DESCRIPTION	PRICE(B)
40516-00	3/4" Wet Boom Double Radiallock	14.75
40517-00	1" Wet Boom Double Radiallock	14.75
Double Outlet Nozzle Wet Boom Body – Square Lug		
PART	DESCRIPTION	PRICE(B)
40195-00	3/4" Wet Boom Double Square Lug	14.75
40196-00	1" Wet Boom Double Square Lug	14.75

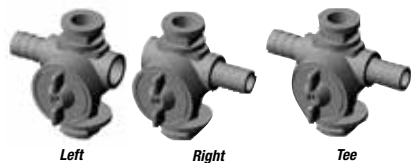
Triple Outlet Nozzle Wet Boom Body – Radiallock		
PART	DESCRIPTION	PRICE(B)
40526-00	3/4" Wet Boom Triple Radiallock	18.15
40527-00	1" Wet Boom Triple Radiallock	18.15
Triple Outlet Nozzle Wet Boom Body – Square Lug		
PART	DESCRIPTION	PRICE(B)
40197-00	3/4" Wet Boom Triple Square Lug	18.15
40198-00	1" Wet Boom Triple Square Lug	18.15

**PLEASE NOTE:** The above Combo-Jet® wet boom nozzle bodies feature the new hinged clamp for easier installation. The original two-piece style Combo-Jet® nozzle bodies are still available by SPECIAL ORDER ONLY. Please contact our office for pricing and availability.



**Compact Diaphragm Bodies**

PART	DESCRIPTION	PRICE (B)
40360-00	Left Body 11/16" Thread x 3/8" Hose	8.70
40365-00	Left Body 11/16" Thread x 1/2" Hose	8.70
40370-00	Left Body 11/16" Thread x 3/4" Hose	8.70
40361-00	Right Body 11/16" Thread x 3/8" Hose	8.70
40366-00	Right Body 11/16" Thread x 1/2" Hose	8.70
40371-00	Right Body 11/16" Thread x 3/4" Hose	8.70
40362-00	Tee Body 11/16" Thread x 3/8" Hose	8.70
40367-00	Tee Body 11/16" Thread x 1/2" Hose	8.70
40372-00	Tee Body 11/16" Thread x 3/4" Hose	8.70
LOCKNUT	11/16" Poly Lock Nut	.75



**Compact Diaphragm Body For Dry Boom**

PART	DESCRIPTION	PRICE (B)
40380-00	Left Body 3/8" Hose	8.70
40385-00	Left Body 1/2" Hose	8.70
40390-00	Left Body 3/4" Hose	8.70
40381-00	Right Body 3/8" Hose	8.70
40386-00	Right Body 1/2" Hose	8.70
40391-00	Right Body 3/4" Hose	8.70
40382-00	Tee Body 3/8" Hose	8.70
40387-00	Tee Body 1/2" Hose	8.70
40392-00	Tee Body 3/4" Hose	8.70
40155-07	Fairprene Diaphragm Only	.90



**Molded Diaphragm w/ O-ring Seat**

- One-piece diaphragm is self-seating in check valve O-ring groove. FKM material – may be black or red.

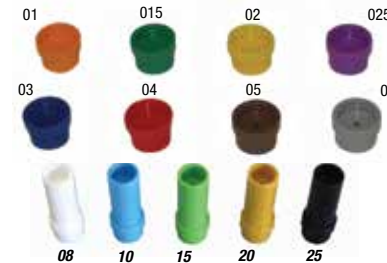
PART	DESCRIPTION	PRICE (B)
40155-23	Diaphragm / O-ring Combo	1.15



**Fertilizer Caps**

- If used with pre-orifice (40285-\*\*) use universal seal 40260-00.
- If used less pre-orifice use universal adapter 40261-00 and 40260-00 seal.

PART	DESCRIPTION	PRICE (B)
40420-05	1/8" Hose Barb	1.40
40422-05	1/4" Hose Barb	1.40
40424-05	3/8" Hose Barb	1.40
40426-05	1/2" Hose Barb	1.40
40260-00	O-Ring Seal	.25
40261-00	Adapter (if required)	.40



**Pre-Orifice**

PART	SIZE	DESCRIPTION	PRICE(B)
40285-005	005	Black Orifice	7.25
40285-007	007	Pink Orifice	7.25
40285-01	01	Orange Orifice	5.50
40285-015	015	Green Orifice	5.50
40285-02	02	Yellow Orifice	5.50
40285-025	025	Purple Orifice	5.50
40285-03	03	Blue Orifice	5.50
40285-04	04	Red Orifice	5.50
40285-05	05	Brown Orifice	5.50
40285-06	06	Grey Orifice	5.50
40285-08	08	White Orifice – long	5.50
40285-08S	08	White Orifice – short	5.50
40285-10	10	Light Blue Orifice – long	5.50
40285-10S	10	Light Blue Orifice – short	5.50
40285-125	12.5	Teal Orifice – long	5.50
40285-13S	12.5	Teal Orifice – short	5.50
40285-15	15	Light Green Orifice	5.50
40285-20	20	Tan Orifice	5.50
40285-25	25	Black Orifice	5.50



**Radiallock Caps**

PART	DESCRIPTION	PRICE (B)
40269-01	Universal Slot - Red	.95
40269-02	Universal Slot - White	.95
40269-03	Universal Slot - Green	.95
40269-04	Universal Slot - Yellow	.95
40276-01	Universal Slot - AI Tips	1.05
40276-02	Universal Slot - AI Tips	1.05
40276-03	Universal Slot - AI Tips	1.05
40276-04	Universal Slot - AI Tips	1.05
40271-01	Universal Round - Red	1.05
40271-02	Universal Round - White	1.05
40271-03	Universal Round - Green	1.05
40271-04	Universal Round - Yellow	1.05
40273-02	1/4" NPT Outlet	1.30
40274-04	Yellow - 1/4" NPT 45° Outlet	3.00
40272-01	Plug - Red	1.05
40272-03	Plug - Green	1.05
40272-04	Plug - Yellow	1.05



**Adapters c/w Seal**

- Easily converts Quick-Jet bodies to Combo-Jet or Combo-Jet to Quick-Jet bodies. Includes O-ring

PART	DESCRIPTION	PRICE (B)
40200-00	Adapter, TeeJet to Combo-Jet	2.40
40203-00	Adapter, Combo-Jet to TeeJet	2.40
40204-00	Adapter, TeeJet to Combo-Jet	2.45

NOTE: Part # 40204-00 is a new, easy-to-use twist on/off design. Original 40200-00 (not shown) snaps onto body.