

HYPRO®



1502 Series Roller Pumps

- 6 roller
- 27 GPM 50 PSI @ 540, 56 GPM 50 PSI @ 1000.
- 540 or 1000 RPM.

PART	DESCRIPTION	PRICE (€)
1502C	Cast Iron	1023.85
1502N	Ni-Resist	1524.30
1502XL	Silver Cast	2182.55



1700 Series Roller Pumps

- 5 roller.
- 50 PSI.
- 20 GPM-540 RPM.

PART	DESCRIPTION	PRICE (€)
1700C	Cast Iron	625.00
1700N	Ni-Resist	1240.95
1700XL	Silver Cast	1742.10



6500 Series Roller Pumps

- 6 roller.
- 8 GPM at 540-50 PSI, 16 GPM at 1000-50 PSI.
- 540 or 1000 RPM.

PART	DESCRIPTION	PRICE (€)
6500C	Cast Iron	302.25
6500N	Ni-Resist	692.15
6500XL	Silver Cast	955.60



7560 Series Roller Pump

- 8 roller.
- 50 PSI.
- 11 GPM-540 RPM, 22 GPM-1000 RPM.

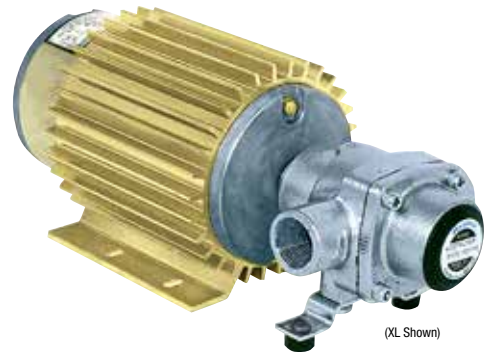
PART	DESCRIPTION	PRICE (€)
7560C	Cast Iron	394.80
7560N	Ni-Resist	785.20
7560XL	Silver Cast	1139.15



7700 Series Roller Pumps

- 7 roller.
- 12 GPM @ 50 PSI.
- 540 RPM.

PART	DESCRIPTION	PRICE (€)
7700C	Cast Iron	401.25
7700N	Ni-Resist	N/A
7700XL	Silver Cast	1166.65



4101N-AEH Roller Pump

- 12 V DC Motor.
- Super rollers and Viton seals.
- 1/3 HP.
- 50 PSI maximum.
- 6 GPM @ 25 PSI, 17 AMP.
- 7.5 GPM open flow.

PART	DESCRIPTION	PRICE (€)
4101N-AEH	Ni-Resist	1101.10
4101XL-AEH	XL Silver Cast	1337.05

Note: For Parts, see Parts Section



4101 Series Roller Pumps

- 4 roller pump.
- 3/4" inlet/outlet.
- 5/8" stainless steel shaft.

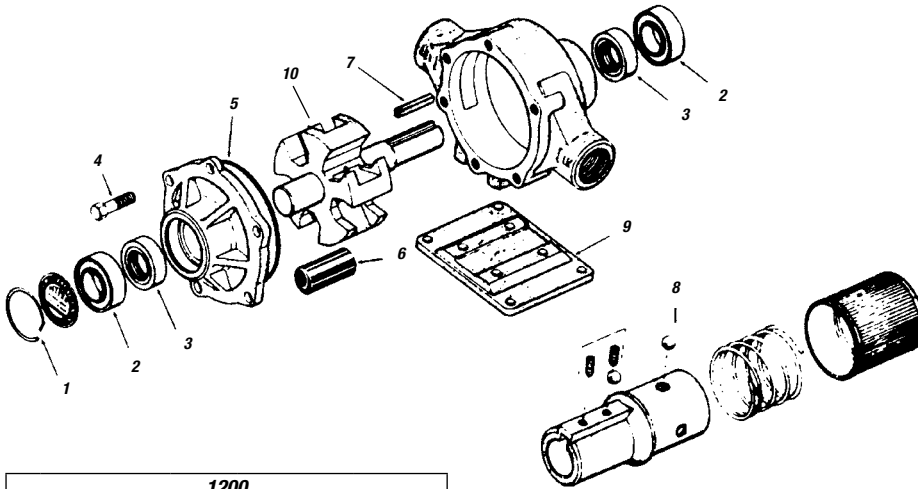
PART	DESCRIPTION	PRICE (€)
4101C	Cast Iron	279.10
4101N	Ni-Resist	502.05

Roller Pump Accessory Selection Guide

DESCRIPTION	1500 SERIES	1700 SERIES	6500 SERIES	7560 SERIES	7700 SERIES	4000 SERIES
540 rpm 1 3/8" Forged Steel PTO Adapter	1320-0076	1320-0076	1320-0077	1320-0076	1320-0076	----
1000 rpm 1 3/8" Forged Steel PTO Adapter	1320-0078	1320-0078	1320-0079	1320-0078	----	1320-0079
1000 rpm 1 3/4" Forged Steel PTO Adapter	1320-0080	1320-0080	----	1320-0080	----	----
540 rpm 1 1/2" Forged Steel Quick Coupler	1323-0072	1323-0072	1323-0074	1323-0072	1323-0072	----
1000 rpm 1 1/2" Forged Steel Quick Coupler	1323-0073	1323-0073	1323-0075	1323-0073	----	----
Multi-Speed 1 3/8" Forged Steel Quick Coupler	1323-0076	1323-0076	1323-0077	1323-0076	1323-0076	1323-0077
Steel Shaft Adapter 3/4" x 5/8"	----	----	1320-0015	----	----	1320-0015
Steel Shaft Adapter 5/8" x 5/8"	----	----	1320-0016	----	----	1320-0016
Repair Kits	3430-0387 3430-0386	3430-0437	3430-0380	3430-0381	3430-0384	3430-0390
Torque Arm Kit	----	3430-0540	3430-0540	3430-0540	3430-0540	----
Base Kits	3420-0004	3420-0010	3420-0023	3420-0003	3420-0010	3420-0024* 3420-0025**
Hydraulic Flange Kit	----	----	----	3430-0636	----	----

NOTE: * For electric motor drive 3 1/2" shaft centerline (4001, 4101) ** For gas engine drive 4 3/16" shaft centerline (4101 only).

FOR A PRICE LIST OF HYPRO ROLLER PUMPS PARTS, SEE BACK OF CATALOGUE.



Die Cast Couplers

- 1321-0006: 1 1/8" (6 Spline) PTO (I.D.), 5/8" Shaft, 540 RPM
- 1321-0007: 1 1/8" (6 Spline) PTO (I.D.), 15/16" Shaft, 540 RPM
- 1321-0008: 1 1/8" (21 Spline) PTO (I.D.), 5/8" Shaft, 1,000 RPM
- 1321-0009: 1 1/8" (21 Spline) PTO (I.D.), 15/16" Shaft, 1,000 RPM
- 1321-0012: 1 1/8" (Multi-Speed) PTO (I.D.), 5/8" Shaft, 540/1,000 RPM
- 1321-0013: 1 1/8" (Multi-Speed) PTO (I.D.), 15/16" Shaft, 540/1,000 RPM

1200				
REF	PART	REQ'D	DESCRIPTION	PRICE (E)
2	2001-0006	2	Bearing	28.60
4	2210-0019	4	Bolt	1.10
5	1720-0127		O-Ring	CALL
7	1610-0005		Key	2.30
10	0300-1502C		Rotor & Shaft	393.65

1500				
REF	PART	REQ'D	DESCRIPTION	PRICE (E)
1	2300-0020		Retainer	2.05
2	2008-0001	2	Bearing	20.80
3	2112-0003	2	Viton Seal	23.00
4	2210-0005	6	Bolt	1.10
5	1720-0003		O-Ring	4.10
6	1005-0005	6	Roller	11.20
7	1610-0005		Key	2.30
8	3250-0004	3	Ball	1.70
	3430-0386		Repair Kit	113.00
10	0300-1502C		Rotor & Shaft	393.65

1700				
REF	PART	REQ'D	DESCRIPTION	PRICE (E)
1	2300-0020		Retainer	2.05
2	2008-0001	2	Bearing	20.80
3	2112-0001	2	Buna Seal	21.00
3	2112-0003	2	Viton Seal	23.00
4	2210-0005	6	Bolt	1.10
5	1720-0099		O-Ring	2.85
6	1005-0005	5	Roller	11.20
7	1610-0005		Key	2.30
8	3250-0004	3	Ball	1.70
	3430-0437		Repair Kit	100.70
10	0300-1700C		Rotor & Shaft	264.15

4101				
REF	PART	REQ'D	DESCRIPTION	PRICE (E)
1	2300-0021		Retainer	2.05
2	2000-0010	2	Bearing	14.10
3	2107-0002	2	Seal	14.50
4	2220-0018	4	Bolt	1.30
5	1720-0104		O-Ring	1.35
6	1002-0002	4	Roller	4.65
9	3420-0004		Base Kit - Gas	CALL
	3430-0390		Repair Kit	50.50
10	0300-4101C		Rotor & Shaft	123.15

6500				
REF	PART	REQ'D	DESCRIPTION	PRICE (E)
1	2300-0021		Retainer	2.05
2	2000-0010	2	Bearing	14.10
3	2107-0002	2	Seal	14.50
4	2210-0004	4	Bolt	1.30
5	1720-0008		O-Ring	2.15
6	1005-0004	6	Roller	5.30
8	3250-0004	3	Ball	1.70
9	3420-0023		Base Kit	49.55
	3430-0380		Repair Kit	59.60

7700				
REF	PART	REQ'D	DESCRIPTION	PRICE (E)
1	2300-0020		Retainer	2.05
2	2008-0001	2	Bearing	20.80
3	2112-0001	2	Buna Seal	21.00
3	2112-0003	2	Viton Seal	23.00
4	2210-0004	4	Bolt	1.30
5	1720-0014		O-Ring	3.10
6	1005-0004	7	Roller	5.30
7	1610-0005		Key	2.30
8	3250-0004	3	Ball	1.70
9	3420-0010		Base Kit	78.35
	3430-0381		Repair Kit	85.15
10	0300-7700C		Rotor	233.60

7560				
REF	PART	REQ'D	DESCRIPTION	PRICE (E)
1	2300-0020		Retainer	2.05
2	2008-0001	2	Bearing	20.80
3	2112-0001	2	Buna Seal	21.00
3	2112-0003	2	Viton Seal	23.00
4	2210-0004	4	Bolt	1.30
5	1720-0014		O-Ring	3.10
6	1005-0004	8	Roller	5.30
7	1610-0005		Key	2.30
8	3250-0004	3	Ball	1.70
9	3420-0003		Base Kit	77.70
	3430-0381		Repair Kit	85.15
10	0308-7560C		Rotor	187.75

PART	DESCRIPTION	PRICE (E)
1321-0006	For 6500	74.15
1321-0007	For 1500, 1700, 7560, 7700	80.30
1321-0008	For 4000, 6500	N/A
1321-0009	For 1500, 1700, 7560	88.05
1321-0012	For 4000, 6500	74.15
1321-0013	For 1500, 7560, 7700	79.00



Forged Steel Couplers

- 1323-0072: 1 1/8" (6 Spline) PTO (I.D.), 15/16" Shaft, 540 RPM
- 1323-0073: 1 1/8" (21 Spline) PTO (I.D.), 15/16" Shaft, 1,000 RPM
- 1323-0074: 1 1/8" (6 Spline) PTO (I.D.), 5/8" Shaft, 540 RPM
- 1323-0075: 1 1/8" (21 Spline) PTO (I.D.), 5/8" Shaft, 1,000 RPM
- 1323-0076: 1 1/8" (Multi-Speed) PTO (I.D.), 15/16" Shaft, 540/1,000 RPM
- 1323-0077: 1 1/8" (Multi-Speed) PTO (I.D.), 5/8" Shaft, 540/1,000 RPM

PART	DESCRIPTION	PRICE (E)
1323-0072	For 1500, 1700, 7560, 7700	104.60
1323-0073	For 1500, 1700, 7560	100.35
1323-0074	For 6500	80.60
1323-0075	For 4000, 6500	104.60
1323-0076	For 1500, 1700, 7560	169.65
1323-0077	For 4000, 6500	202.00