



Shut-Off 0 GPM	40 GPM	60 GPM	80 GPM	100 GPM	120 GPM
120 PSI	116 PSI	112 PSI	110 PSI	88 PSI	53 PSI
100 PSI	97 PSI	92 PSI	84 PSI	74 PSI	46 PSI
80 PSI	75 PSI	70 PSI	61 PSI	52 PSI	20 PSI
60 PSI	57 PSI	52 PSI	43 PSI	29 PSI	-

150 Series High Performance Hydraulic Pump

- 1 1/2" Suction / 1 1/4" Discharge.
- The high performance pump: 100 PSI at 88 GPM.
- Provides higher pressure and greater volume for applications with large tanks and longer spray booms.
- The 206 motor requires 7 GPM maximum hydraulic fluid input and fits virtually all tractor hydraulic systems.

Recommended for:

- Pressure compensating closed center systems
- Load sensing closed center systems
- Open center systems up to 16 GPM using internal needle valve bypass

Maximum Pressure: 120 PSI
Maximum Flow: 120 GPM

Note: To determine the correct Performance Data for your application, first shut off all flow on discharge side of pump and determine the shut-off pressure at the pump. Use this shut-off pressure to determine which line of data applies.

PART	DESCRIPTION	PRICE (€)
FMC-150-HYD-206	Hyd. Pump 1 1/2" x 1 1/4"	1633.95



- Same specs as above, except flanged ports.
- Special order item.

PART	DESCRIPTION	PRICE (€)
FMC-150F-HYD-206	Hyd. Pump 1 1/2" x 1 1/4"	1796.55

Shut-Off 0 GPM	40 GPM	80 GPM	120 GPM	160 GPM	200 GPM
120 PSI	114 PSI	100 PSI	85 PSI	65 PSI	36 PSI
100 PSI	92 PSI	83 PSI	68 PSI	52 PSI	-
80 PSI	76 PSI	68 PSI	57 PSI	43 PSI	-
60 PSI	57 PSI	50 PSI	40 PSI	-	-

200 Series High Performance Hydraulic Pump

- 2" Suction / 1 1/2" Discharge.
- For high volume applications, Capacity to 200 GPM.
- Ideal for spraying, large tank agitation, liquid transfer and spray – transfer combinations.
- The 210 motor requires 10 GPM maximum hydraulic fluid input.

Recommended for:

- Pressure compensating closed center systems
- Load sensing closed center systems
- Open center systems up to 17 GPM using internal needle valve bypass
- The 304 motor requires 11 GPM maximum hydraulic fluid input.

Recommended for:

- Pressure compensating closed center systems
- Load sensing closed center systems
- Open center systems up to 20 GPM using internal needle valve bypass
- The 310 motor requires 16 GPM maximum hydraulic fluid input.

Recommended for:

- Large open center systems up to 24 GPM using internal needle valve bypass

Maximum Pressure: 120 PSI for 304 / 80 PSI for 210 / 60 PSI for 310
Maximum Flow: 200 GPM

Note: To determine the correct Performance Data for your application, first shut off all flow on discharge side of pump and determine the shut-off pressure at the pump. Use this shut-off pressure to determine which line of data applies.

PART	DESCRIPTION	PRICE (€)
FMC-200-HYD-210	Hydr. Pump 2" x 1 1/2"	2014.50
FMC-200-HYD-304	Hydr. Pump 2" x 1 1/2"	2034.35
FMC-200-HYD-310	Hydr. Pump 2" x 1 1/2"	2155.85

Pump Feature	Ace Replacement	Original Equipment
Pump Bearings	203 Heavy Duty	202
Pump Shaft	3/4" Diameter	5/8" Diameter
Clutch Rating	58 ft. lbs.	30 ft. lbs.
Clutch Bearings	Two	One
Clutch Pulley	Machined Steel	Stamped Steel

Heavy Duty Sprague Centrifugal Pump

Maximize the reliability and durability of your Sprague with an Ace Heavy-Duty Centrifugal Pump. This powerful design delivers superior performance with minimal maintenance, when compared to its closest industry competitors. Ace Pumps' precision craftsmanship ensures the pump's dependability and longevity.

- Fits Sprague models 3430, 3440, 3630, 3640, 4440, 4640.
- Heavy duty 204 bearings – 66% more dynamic load capacity than original equipment.
- Ultra-durable double bearing clutch – 93% higher torque rating than original equipment.
- Optional severe duty controlled porosity silicon carbide seal.
- 3/4" pump shaft.

PART	PRICE (€)
FMC-CW-150-MAG-DX3	1585.20



316 Stainless steel straight centrifugal pump with flanged ports driven by a 7 GPM new generation hydraulic motor with integral needle valve. Supplied with restrictor orifice.

- Max. pressure: 120 PSI Max. flow: 135 GPM
- Inlet port 1-1/2" NPT and 220 full port flange
- Outlet port 1-1/4" NPT and 200 standard port flange

PART	DESCRIPTION	PRICE (€)
FMC150FSHYD206	Stainless HYD. Pump	3011.85



SPEED RPM	5 PSI GPM	10 PSI GPM	15 PSI GPM	20 PSI GPM	30 PSI GPM	40 PSI GPM	50 PSI GPM	60 PSI GPM	70 PSI GPM
2400	74	73	64	54	-	-	-	-	-
3600	108	107	106	105	102	90	69	34	-
4200	-	124	122	122	118	115	107	93	70

9203C Series Pump

Hypro pedestal mounted cast iron centrifugal pumps c/w non-corrosive plastic impeller, Viton seal, and 5/8" solid shaft with 3/16" keyway.

PART	DESCRIPTION	PRICE (€)
9203C	1 1/2" x 1 1/4"	708.35
9203C-R	1 1/2" x 1 1/4", Reverse rotation	742.90



9203C Pump with 12V Magni-Clutch

Will transmit up to 10 HP at 4000 RPM. Energized by using on-off toggle switch at driver's seat. Draws only 2 amps from 12 V battery during operation. Eliminates necessity of using PTO or hydraulic systems. Simple installation.

PART	DESCRIPTION	PRICE (€)
9263C-C	Pump with Clutch	1367.20
3430-0592	12V Clutch Only	1108.35



9303 Poly Pump

PART	DESCRIPTION	PRICE (€)
9303P-HM4C	1 1/2" Inlet, 1 1/4" Outlet	1680.00



9203P Polypropylene Pump

5/8" shaft, 3/16" keyway, 1 1/2" inlet, 1 1/4" outlet.

PART	PRICE (€)
9203P-S	899.30



9303 Series

9300 Series Hydraulic

PART	DESCRIPTION	PRICE (€)
9302C-HM1C	1 1/4" x 1" Open	1575.30
9302C-HM2C	1 1/4" x 1" Closed	1575.30
9302C-HM4C	1 1/4" x 1" Closed	1575.30
9303C-HM1C	1 1/2" x 1 1/4" Open/Closed	1511.95
9303C-HM2C	1 1/2" x 1 1/4" Closed	1570.70
9303C-HM3C	1 1/2" x 1 1/4" Open	1670.45
9303C-HM4C	1 1/2" x 1 1/4" Open/Closed	1511.95



9000 Series Cast Iron Gear Drive Pumps

PART	DESCRIPTION	PRICE (€)
9006C-0	1 3/8" - 540 PTO	1706.20
9008C-0	1 3/8" - 1000 PTO	1825.70
9016C-0	1" - 540 PTO	1685.25
9018C-0	1" - 1000 PTO	1796.00



9306 Series

PART	DESCRIPTION	PRICE (€)
9306C-HM1C	2 x 1 1/2" Open/Closed*	1822.00
9306C-HM5C	2 x 1 1/2" Open*	1753.85



9300 Series Stainless Steel

PART	DESCRIPTION	PRICE (€)
9303S-HM1C	1 1/2" Inlet, 1 1/4" Outlet	2772.35
9303S-HM2C	1 1/2" Inlet, 1 1/4" Outlet	2875.60
9303S-HM3C	1 1/2" Inlet, 1 1/4" Outlet	2987.80
9303S-HM4C	1 1/2" Inlet, 1 1/4" Outlet	2875.60
9303S-HM5C	1 1/2" Inlet, 1 1/4" Outlet	2901.70
9306S-HM1C	2" Inlet, 1 1/2" Outlet	3366.85
9306S-HM3C	2" Inlet, 1 1/2" Outlet	3470.10
9306S-HM5C	2" Inlet, 1 1/2" Outlet	3240.90



9000 Series Poly Gear Drive Pumps

PART	DESCRIPTION	PRICE (€)
9006P-0	1 3/8" - 540 PTO	1788.75
9008P-0	1 3/8" - 1000 PTO	1833.10
9016P-0	1 3/8" - 540 PTO POLY	1781.10
9018P-0	1 3/8" - 1000 PTO POLY	1815.80



HYPRO



3" Model Shown

Banjo 2" and 3" Poly Pumps w/ Honda Engines

- EPDM seals and gaskets.
- Female NPT inlet and outlet ports.
- Poly 5-Vane impeller on 2" model and poly 4-Vane impeller on 3" model; poly casing on both models.
- 2" Model features Honda GX 5.5 HP engine and 3" model features Honda GX 6.5 HP engine.
- Both engines include low oil sensor.

PART	DESCRIPTION	PRICE(H)
200PH5	2" Banjo Poly Pump w/ 5.5 HP	1115.50
300PH6	3" Banjo Poly Pump w/ 6.5 HP	1097.90



Banjo 2" and 3" Poly Pumps w/ 6.5 HP Briggs & Stratton Engines

- EPDM seals and gaskets
- Available in either 2" or 3" Female NPT Inlet and outlet ports.
- Powered by a 6.5 HP Briggs & Stratton engine with pull start and oil alert.
- 216 US gallons per minute maximum.

PART	DESCRIPTION	PRICE(H)
200P6PRO	2" Banjo Poly Pump w/ 6.5 HP Briggs & Stratton Engine	CALL
300P6PRO	3" Banjo Poly Pump w/ 6.5 HP Briggs & Stratton Engine	CALL



1537 Pump

- Unit includes pump, engine and base.
- Honda 5.5 HP oil alert engine and Hypro 1538 pump.
- 1 1/2" inlet, 1 1/4" outlet.
- Nylon impeller.
- 82 GPM @ 40 PSI, 70 GPM @ 50 PSI, 50 GPM @ 60 PSI.

PART	DESCRIPTION	PRICE
1537	Pump/Engine – Honda 5.5HP	CALL
1537-U	Pump, Honda - Unassembled	CALL



2" Full Port Manifold Inlet / Outlet

Banjo 2" Full Port Manifold Poly Pump w/ Honda 6.5 HP Engine

- EPDM seals and gaskets.
- 2" Full Port Manifold inlet and outlet ports.
- High performance impeller for maximum flow – up to 255 gallons per minute!
- Honda GX series engine features low oil sensor.

PART	DESCRIPTION	PRICE(H)
M220PH6	2" Banjo FP Manifold Poly Pump w/ 6.5 HP Honda	1061.15



2" Model Shown

Banjo 2" and 3" Full Port Manifold Poly Pumps w/ Honda GX Series Engines

- EPDM seals and gaskets.
- Full Port Manifold inlet and outlet ports.
- Precision molded construction
- 2" Model features Honda GX 5.5 HP engine and 3" model features Honda GX 6.5 HP engine.
- Both engines include low oil sensor.

PART	DESCRIPTION	PRICE(H)
M220PH5	2" Banjo Poly Pump w/ 5.5 HP	1062.35
M300PH6	3" Banjo Poly Pump w/ 6.5 HP	1297.55



Ace GE660 Pump

- Ace 5 1/2 HP Honda
- 1 1/2" inlet
- 1 1/4" outlet
- 6" impeller mounts to 3/4" shaft
- 110 GPM @ 20 PSI @ 3400 RPM
- 49 GPM @ 60 PSI @ 3400 RPM

PART	DESCRIPTION	PRICE
GE660	Pump/Engine – Honda 5.5HP	CALL
GE660-U	Pump, Honda - Unassembled	CALL



Poly Check Valve

- 2" or 1 1/2".
- Available with or without check valve.

PART	DESCRIPTION	PRICE (F)
FVPP2	2" Strainer C/W Check	128.15
FVPP2LC	2" Strainer Less Check	66.65
100750	2" NPT Female x Hose Insert	7.70
504019	2" Check Valve	61.50
2452067	2" NPT Female x 1 1/2" NPT Male Adapter	12.35
100640	1 1/2" NPT Female x 1 1/2" Hose Insert	7.75



Metal Strainer

- NPT female threads.

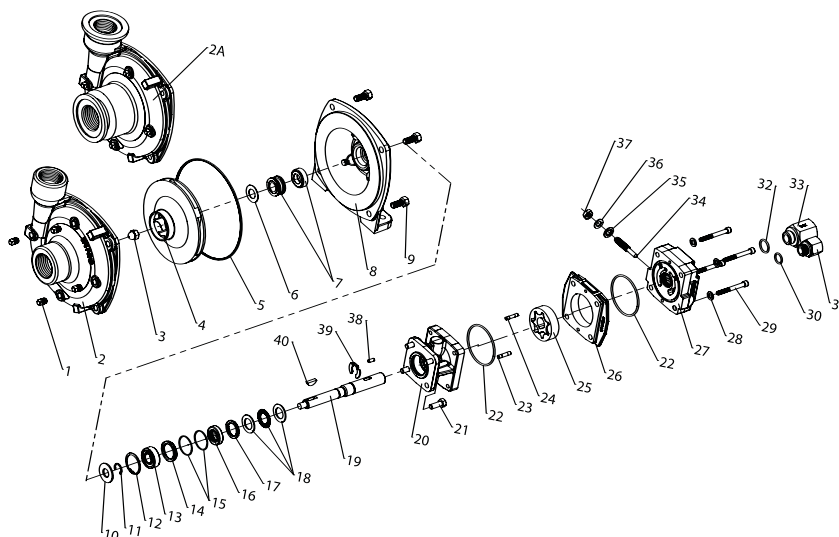
PART	SIZE	PRICE (F)
SUCTION2	2" FPT Steel Strainer	21.35
SUCTION3	3" FPT Steel Strainer	33.25
SUCTION4	4" FPT Steel Strainer	37.55



Floating Filter

- 2" hose connection.
- Floats just below water level.
- Keeps suction hose off bottom.

PART	DESCRIPTION	PRICE (H)
FLOAT	2" Floating Pond Filter	82.05



Hypro 9303C and 9303S Series Centrifugal Pump Parts – Please Use Part Number When Ordering and Note Quantity Required.

REF #	QTY. REQ'D	PART	DESCRIPTION	PRICE(E)
1	4	2406-0007	Drain/Vent Plug (9303C) – ORDER # 2406-0016	11.35
1	4	2406-0016	Drain/Vent Plug (9303S)	11.35
2	1	0150-9000C	Pump Casing (model 9303C)	305.95
2	1	0150-9000S	Pump Casing (model 9303S)	534.75
2A	1	0153-9000C	Pump Casing (Universal Flange Model C-U	322.45
3	1	2253-0002	Impeller Nut (9303C)	7.55
4	1	0401-9100P	Impeller (Nylon standard 9303C)	65.40
4	1	0402-9100P	Impeller (Polypropylene Optional (Std 9303S)	72.20
5	1	1720-0083	O-ring	4.85
6	1	1700-0100	Gasket	6.45
7	1	2120-0009	Mechanical Seal (Viton/Ceramic)(Std. 9303C)	N/A
7	1	3430-0589	Mechanical Seal (Silicon Carbide)(Std. 9303S)	281.95
8	1	0750-9300C	Mounting Flange (9303C)	175.35
8	1	0756-9300S	Mounting Flange (9303S)	1064.30
9	4	2210-0020	Hex Head Cap Screw (9303C)	1.30
9	4	2210-0125	Hex Head Cap Screw (9303S)	2.45
10	1	1410-0056	Slinger Ring	1.70
11	1	1810-0014	Snap Ring	1.45
12	1	1820-0013	Retaining Ring	1.65
13	1	2000-0010	Ball Bearing	14.10
14	1	1410-0131	Cartridge, Front	15.70
15	2	1720-0268	O-ring	1.85
16	1	2104-0010	Lip Seal (only sold in Parts Kit 3430-0748)	N/A
17	1	1410-0130	Seal Spacer	8.60
18	1	2029-0014	Thrust Bearing Assembly	40.80
19	1	0531-2500	Shaft (HM2C/HM4C) – ORDER # 3430-0850	349.20
19	1	0533-2500	Shaft (HM1C/HM5C) – ORDER # 3430-0852	253.45
19	1	3430-0855	Shaft Kit	450.55
20	1	0150-2500C	Motor Body (includes needle bearing)	196.85
21	4	2210-0005	Hex Head Cap Screw	1.10
22	2	1720-0110	O-ring	1.65
23	1	1600-0045	Dowel Pin (HM2C/HM4C)	19.30
23	1	1600-0044	Dowel Pin (HM1C/HM5C)	24.25
23	1	1600-0052	Dowel Pin (HM3C)	34.60

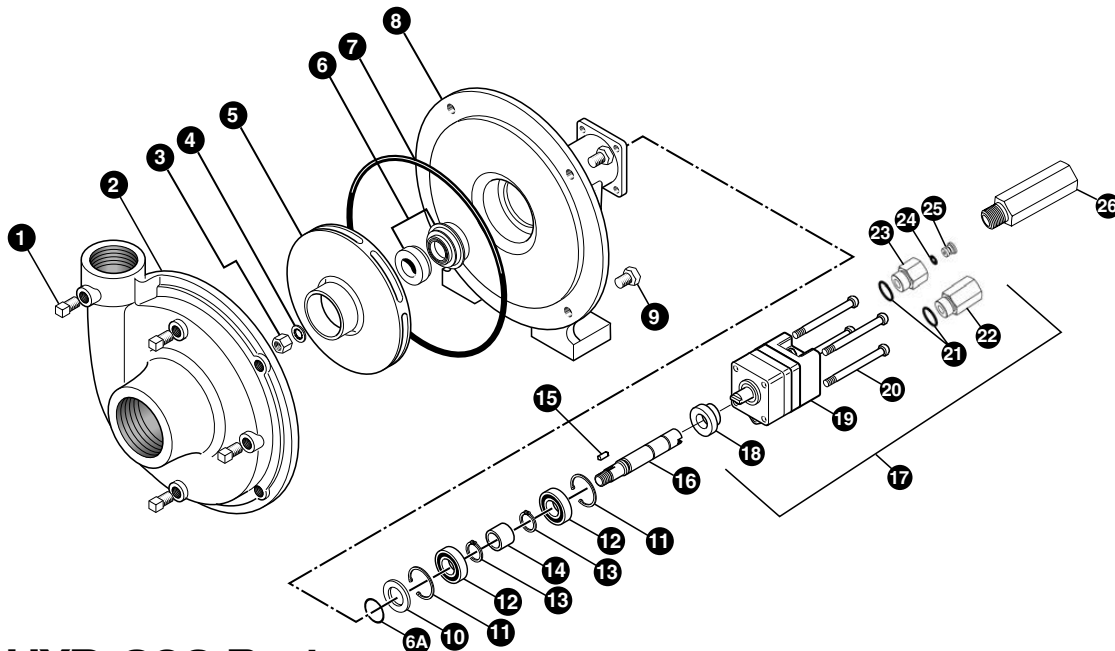
REF #	QTY. REQ'D	PART	DESCRIPTION	PRICE(E)
24	1	1600-0042	Dowel Pin (HM2C/HM4C)	19.30
24	1	1600-0037	Dowel Pin (HM1C/HM5C)	24.25
24	1	1600-0068	Dowel Pin (HM3C)	15.70
25	1	3900-0022	Gerotor (HM1C)	251.20
25	1	3900-0023	Gerotor (HM2C)	227.90
25	1	3900-0024	Gerotor (HM3C)	318.55
25	1	3900-0025	Gerotor (HM4C)	247.30
25	1	3900-0048	Gerotor (HM5C)	255.10
26	1	0701-2500C1	Gerotor Housing (HM2C models) ¼" wide	236.95
26	1	0700-2500C1	Gerotor Housing (HM1C models) ½" wide	161.90
26	1	0703-2500C1	Gerotor Housing (HM4C models) 5/16" wide	155.40
26	1	0702-2500C1	Gerotor Housing (HM3C models) 1" wide	249.90
26	1	0704-2500C1	Gerotor Housing (HM5C models) 5/8" wide	198.10
27	1	0254-2500C2	Motor End Plate (includes needle bearing)	N/A
28	4	2270-0039	Washer	140
29	4	2220-0045	Cap Screw (HM2C/HM4C models)	1.95
29	4	2220-0021	Cap Screw (HM1C models)	2.45
29	4	2220-0044	Cap Screw (HM3C models)	4.25
29	4	2220-0032	Cap Screw (HM5C models)	5.70
30	1	1720-0108	O-ring	1.45
31	1	3360-0021A	Pressure Port Adapter (includes o-ring)	29.95
32	1	1720-0262	O-ring (included with 3320-0051A)	N/A
33	1	3320-0051A	Tank Port Adapter (includes o-ring)	56.35
34	1	3220-0029	Bypass Adjusting Screw	11.65
35	1	1700-0047	Gasket	5.60
36	1	2270-0027	Washer	2.45
37	1	2250-0038	Lock Nut	1.40
38	1	1610-0032	Roll Pin (HM2C/HM4C)	10.45
38	1	1610-0031	Roll Pin (HM1C/HM5C)	5.95
38	1	1610-0055	Roll Pin (HM3C)	35.65
39	1	1810-0026	Snap Pin	1.45
40	1	1610-0012	Woodruff Key (9303C)	1.70

Hypro 9303C and 9303S Series Kits and Hydraulic Motors

PART	DESCRIPTION	PRICE(E)
3430-0332	Repair Kit – contains: One o-ring (ref 5), one rubber gasket (ref 6), one mechanical seal (ref 7).	75.40
3430-0589	Silicon Seal Kit – contains pump casing O-ring and mechanical seal.	281.90
3430-0187	Adapter Kit (HM2 and HM4 Models Only) – contains: 3360-0021 Pressure Port Adapter, 3373-0020 (size #1), 3373-0021 (size #2) 3373-0022 (size #3), 1720-0108 Adapter O-ring, and 1720-0105 Orifice O-ring (Qty 3).	31.75
3430-0748	Parts Kit – contains one each of ball bearing (ref 13), motor shaft seal (ref 16), thread seal gasket (ref 35), two cartridge o-rings (ref 15), and washer (ref 36); and two each of motor housing o-rings (ref 22), and port adapter o-rings (ref 30 and 32).	115.75

PART	DESCRIPTION	PRICE(E)
2500-0081C	Hydraulic Motor (HM1C)	1227.15
2500-0082C	Hydraulic Motor (HM2C)	1227.15
2500-0083C	Hydraulic Motor (HM3C)	1512.25
2500-0084C	Hydraulic Motor (HM4C)	1227.15
2500-0085C	Hydraulic Motor (HM5C)	1227.15

FMC-150-HYD-206



FMC-150-HYD-206 Parts

REF	PART	EDP #	DESCRIPTION	REQ'D	PRICE(E)
1	BAC53	41110	Pipe Plug	4	.75
1	BAC53SS	41120	Pipe Plug, Stainless Steel (optional)	4	7.05
2	BAC12150	40255	Volute - 1½" x 1¼"	1	440.50
3	BAC23A	40391	Nut - ⅜" NF, cad plated	1	3.55
3	BAC23BSS	40393	Nut - ⅜" NF, Stainless Steel (standard on -SS models)	1	1.45
4♦	BAC24HYDSS	40400	Washer, ⅜" Star, Stainless Steel	1	2.15
4	BAC24BSS	42702	Washer, ⅜", Stainless Steel, vibration proof (standard on -SS models)	1	9.85
5	BAC26150P	40446	Impeller, Valox, keyway	1	128.05
5	BAC26150CI	40445	Impeller, Cast Iron, keyway (optional)	1	308.35
5	BAC26150PI	40448	Impeller, Polypropylene, keyway (optional)	1	130.80
6♦	BAC7V	40151	Seal, Carbon/Ceramic/Viton (includes 40160 O-ring)	1	70.25
6◇	BAC7SC	40152	Seal, Silicon Carbide/Viton (includes 40160 O-ring) (optional)	1	239.55
6A♦	40160	40160	O-ring, Shaft Seal	1	1.40
7♦	BAC4150	40015	O-ring, Body Seal	1	11.25
8	BAC14150HYD	40305	Mounting Frame (for 200 Series hydraulic motor)	1	549.25
9	40950	40950	Cap Screw, ⅜" NC x ¾" Hex Head	4	.80
9	40930	40930	Cap Screw, ⅜" NC x ¾" Hex Head, Stainless Steel (optional)	4	3.60
10	BAC54	41130	Slinger	1	2.15
11	BAC33	40810	Snap Ring, Internal, BAC14 Mounting Frame	2	2.85
12	BAC37	40870	Ball Bearing, Sealed, BAC6 Shaft	2	27.55
13	BAC32	40790	Snap Ring, External, BAC6 Shaft	2	.80
14	BAC32S	40795	Spacer for BAC6 Shaft	1	8.40
15	BACH25	40420	Key, ⅛" x ⅛" x ½"	1	1.45
16	BAC6HYDSS	40061	Shaft, ⅝" Diameter, Keyway and Tang Slot, Stainless Steel	1	179.00
17	BAC75HYD206	41372	Hydraulic Motor, 7 GPM (includes parts 18 - 25)	1	846.75
18	S200	40161	Seal Support Spacer for 200 Series HYD Motor	1	13.80
19	BAC75HYD206N	41397	Hydraulic Motor, 7 GPM (motor only - no external fittings)	1	825.65
20	41255-ACE	41255	Cap Screw, 5/16" N.C. x 3 ¾" Socket Head (for 206N motor)	4	2.90
21	41875	41875	O-ring, #8 SAE fitting	2	1.40
22	BAC788SAE	41441	Reverse Check Valve, #8 SAE male x ½" NPT female	1	39.95
23	BAC808SAE	41455	Adapter, Restrictor Body, #8 SAE male x ½" NPT male	1	31.40
24	41448	41448	O-ring, Orifice Insert	1	1.40
25	BAC797	41456	Orifice, Restrictor Insert, .109 (206N)	1	15.85
26	LS-206N	41418	Flow Limiting Valve (206N), #8 SAE male x ½" NPT male	1	121.85
♦	RKFMC150	52710	Repair Kit for FMC-150 Series Pump	-	83.60
◇	RKFMCSC150	52711	Repair Kit for FMC-150 Series with Silicon Carbide Shaft Seal	-	287.45
#	RKBAC75HYDL	41374	Repair Kit for 200-L Series Motor	-	88.35